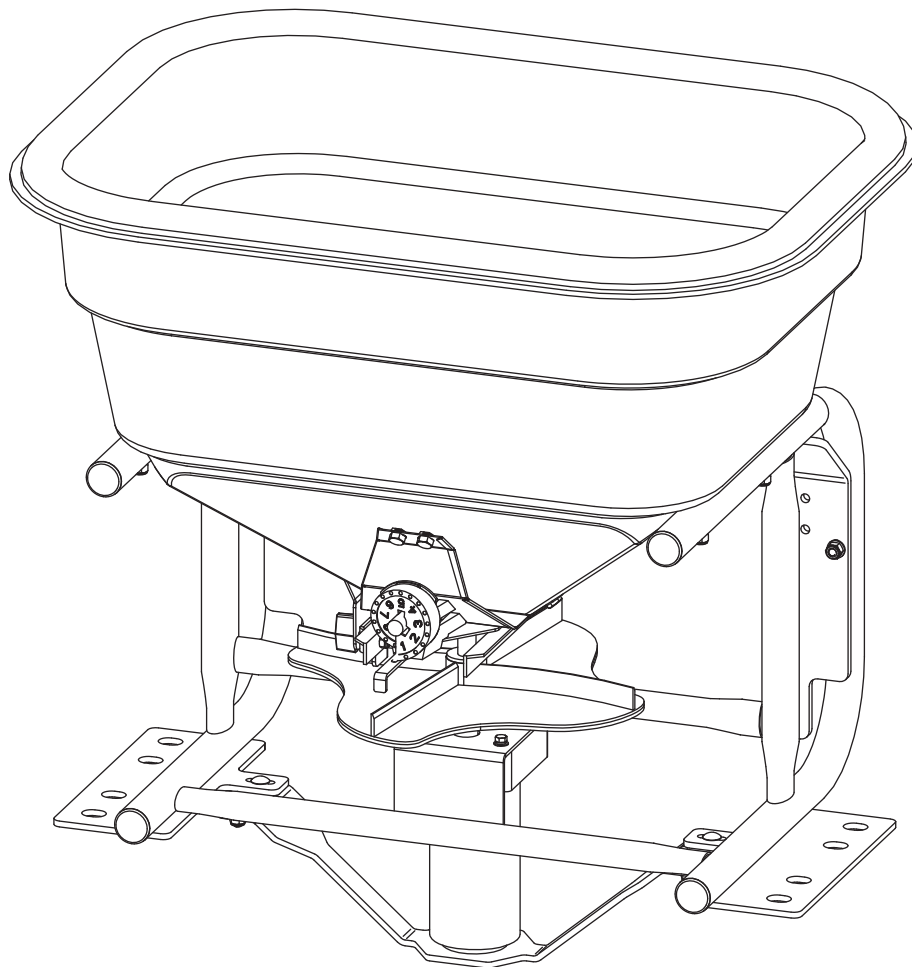




Operator's Manual

Model S80-12010



▲IMPORTANT This manual contains information for the safety of persons and property. Read it carefully before assembly and operation of the equipment!

Spyker Spreaders
Contact Us at 800.972.6130

SAFETY

SAFETY LABELS

UNDERSTANDING THE MACHINE SAFETY LABELS:

The machine safety labels shown in this section are placed in important areas on your machine to draw attention to potential safety hazards.

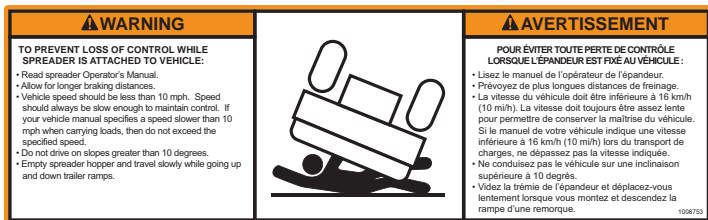
On your machine safety labels, the words DANGER, WARNING, and CAUTION are used with this safety-alert symbol. DANGER identifies the most serious hazards.

The operator's manual also explains any potential safety hazards whenever necessary in special safety messages that are identified with the word CAUTION and the safety-alert symbol.



Safety Alert Symbol

Safety Labels on Spreader



1008753



1008785

Operating Safely - General

- Read this manual and the manual of the vehicle you are attaching the spreader onto. Be thoroughly familiar with the controls and the proper use of the equipment. Know how to stop the vehicle and disengage the controls quickly.
- This spreader is intended for use in lawn care and snow/ice melt applications only. Do not use

for applications other than those intended by the manufacturer.

- Do not let an untrained person or children operate spreader.
- Do not let anyone, especially children, ride on spreader. Riders are subject to injury such as being struck by foreign objects and being thrown off. Riders may also obstruct the operator's view, resulting in the vehicle being operated in an unsafe manner.
- Keep bystanders away when you operate spreader.
- Keep hands, feet, clothing, hair, and loose items away from any moving parts. Failure to check could cause personal injury.
- To prevent injury to hand:
 - Never place hands into hopper or adjust Accuway Directional Control while motor is running.
 - If using hand to open or close gate actuator, use extension.

Operating Safely - Personal Protective Equipment

- Always wear ear and eye protection when operating the spreader.
- Wear appropriate clothing, footwear, and safety equipment when operating spreader.
- Do not operate the spreader when barefoot or wearing open sandals.

Recommended Vehicles and Attachment Method

If you have purchased an optional mount kit, follow mount kit instructions for proper assembly of spreader to vehicle. If a mount kit is not available for your vehicle, and you are fabricating your own mount kit, please read and understand the following.

This spreader is to be attached to 4 wheel vehicles only. The following are the recommended types of vehicles and minimum vehicle requirements needed to properly mount the spreader. While significant effort was made to ensure that the recommended vehicles are safe for operation, it is up to the operator to use the spreader and vehicle with the following safe operating practices.

- When spreader is attached to vehicle, be aware that handling characteristics of vehicle may be affected. To prevent loss of control when spreader is attached to vehicle.
 - Read spreader Operators Manual.
 - Allow for longer braking distances.
 - Vehicle speed should be less than 10mph. Speed should always be slow enough to maintain control. If your vehicle manual specifies a speed slower than 10 mph when carrying loads, then do not exceed specified speed.
 - Do not drive on slopes greater than 10 degrees.
 - Empty spreader hopper and travel slowly while going up and down trailer ramps.
- Do not drive on wet slopes. Slippery conditions reduce traction and could cause loss of control.
- Look behind machine before you back up. Back up carefully.
- Travel slowly over rough terrain.
- Do not load spreader hopper with more than the maximum weight capacity.
- Evenly distribute loads in the cargo bed (UTV) or cargo rack (ATV).

UTV - Utility Terrain Vehicle

The following UTV specifications are recommended. Review your Vehicle Operators Manual for your vehicle specifications.

- Minimum vehicle dry weight of 1050 lb **AND**
- Minimum wheelbase of 70.9" **AND**
- Minimum payload capacity of 800lb **AND**
- Vehicle tire pressure is at manufacturer's recommended settings **AND**
- The Gross Vehicle Weight (GVW) must never exceed the Gross Vehicle Weight Rating (GVWR) of machine. Failure to do so may limit a machines handling characteristics. To calculate GVW, add the following:
 - (A) Empty Vehicle Weight (Full fluids. See vehicle operators manual)
 - (B) Occupant Weight (driver + passenger if applicable)
 - (C) Cargo Box Load Weight (Do not exceed maximum cargo box capacity)
 - (D) Optional Vehicle Accessories Weight (cab, snow blade, etc)
 - (E) Spreader Weight (See Capacities section)
 - (F) Weight of Material in Hopper (do not exceed Hopper Capacity. See Capacity Section)
 - (G) Weight of Spreader Mount

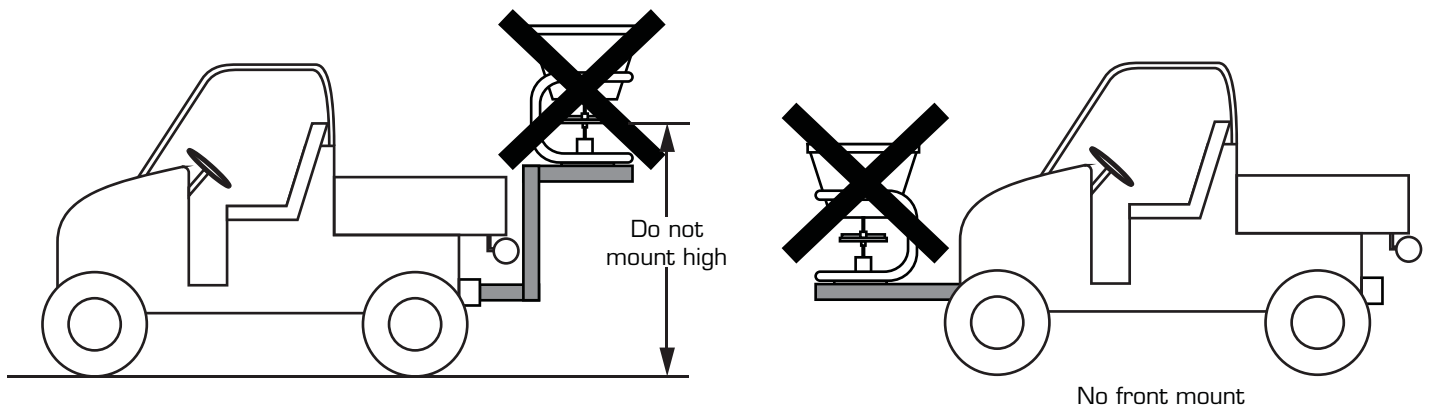
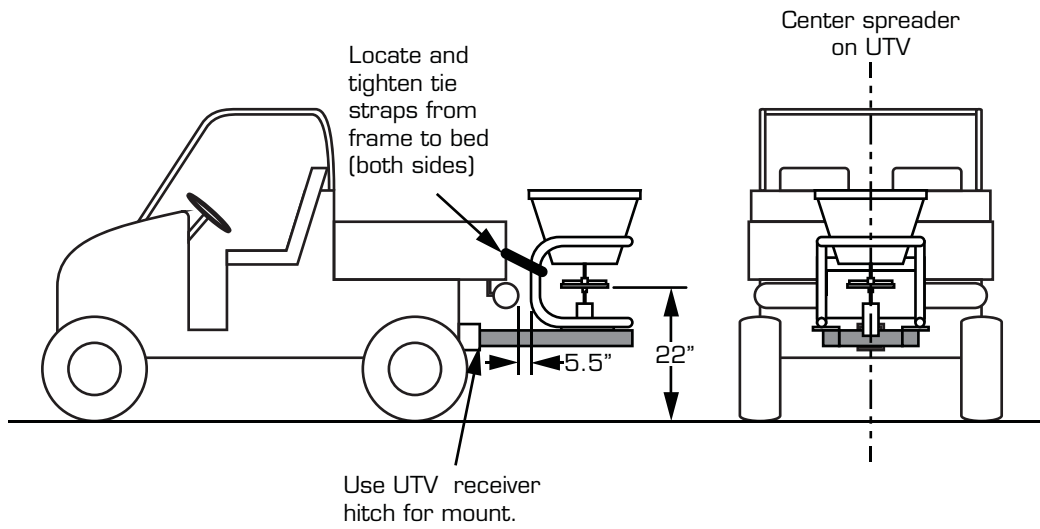
$$GVW = A+B+C+D+E+F+G$$

GVW must be lower than GVWR (see Vehicle Operators Manual for rating). If not, do not operate vehicle and reduce weight until GVW is lower than GVWR.

How to Attach to UTV's

If you are developing your own mount, follow these guidelines:

- Spreader should be mounted to rear of vehicle, using UTV receiver hitch as the main support.
- Fabricate a mount bracket using a minimum of 2" x 11 gage square steel tubing that attaches spreader frame to UTV hitch.
- Use at least (4) 1/2" diameter bolts to mount spreader frame to square steel tubing.
- Center spreader with Center Line of Vehicle. Do not offset to the Left or Right.
- For additional support, use ratchet style tie straps to secure spreader frame to UTV bed.
- Fabricate mount to accommodate the following dimensions:



Optional Cable Kit (Spyker Part #: KSP14-CAB1) is recommended to control rate gate from UTV driver seat.

Optional Hopper Extension Kit (Spyker Part #: 05-120-3600) is needed to increase hopper capacity to 4 cubic feet (not to exceed a total of 220lbs).

ATV - All Terrain Vehicle

The following ATV specifications are recommended. Review your Vehicle Operators Manual for your vehicle specifications.

- Minimum vehicle dry weight of 615 lb **AND**
- Minimum wheelbase of 48.4" **AND**
- Minimum rear rack capacity of 176 lb **AND**
- Vehicle tire pressure is at manufacturer's recommended settings **AND**
- Do not exceed 120lb of material in hopper on ATV's **AND**
- Do not exceed maximum weight capacity of vehicle. To calculate, add the following:
 - (A) Driver Weight
 - (B) Rear Cargo Weight
 - (C) Front Cargo Weight
 - (D) Accessories Weight (snow blade, etc)
 - (E) Spreader Weight (See Capacities section)
 - (F) Weight of Material in Hopper (Do not exceed 120 lb.)
 - (G) Weight of Spreader Mount

$$\text{Weight Capacity} = A+B+C+D+E+F+G$$

Weight Capacity must be lower than maximum weight capacity (See Vehicle Operators Manual). If not, do not operate vehicle and reduce weight until Weight Capacity is lower than maximum weight capacity.

- Do not exceed rear rack weight capacity

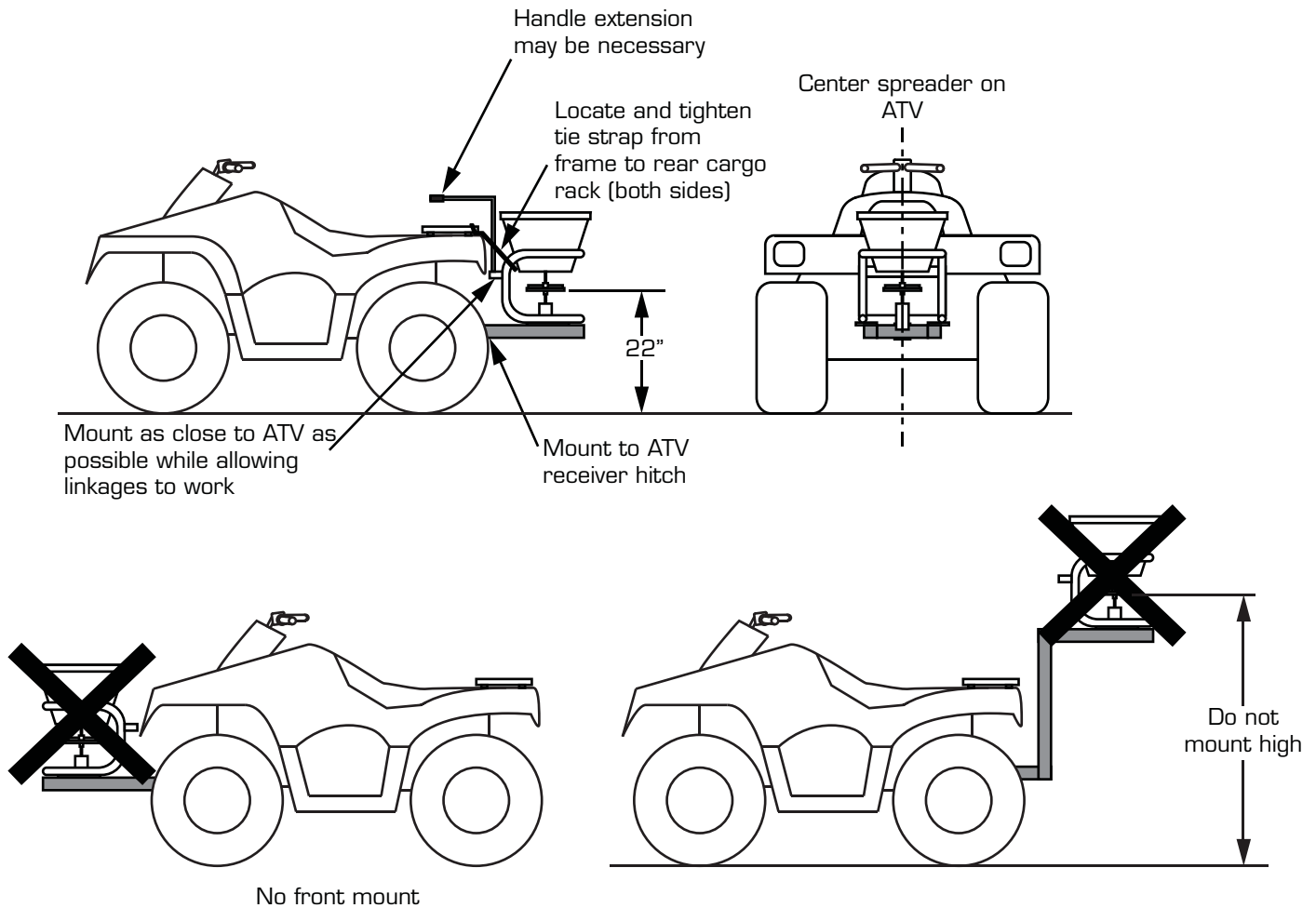
$$\text{Rear Weight} = B+E+F+G$$

Rear Weight must be lower than the rear rack capacity weight (See Vehicle Operators Manual). If not, do not operate vehicle and reduce weight until Rear Weight is lower than rear rack weight capacity.

How to Attach to ATV's

If you are developing your own mount, follow these guidelines:

- Spreader should be mounted to rear of vehicle, using ATV receiver hitch as main mount support.
- Fabricate a mount bracket using a minimum of 2" x 11 gage square steel tubing that attaches spreader frame to ATV hitch.
- Use at least (4) 1/2" diameter bolts to mount spreader frame to square steel tubing.
- Center spreader with Center Line of Vehicle. Do not offset to the Left or Right.
- For additional support, use ratchet style tie straps to secure spreader frame to ATV Rear Cargo Rack.
- Fabricate mount to accommodate the following dimensions:



Optional Hopper Extension Kit (Spyker Part #: 05-120-3600) is needed to increase hopper capacity to 4 cubic feet. Extension may be used for lighter, fluffy material, but total hopper capacity should not exceed 120 lbs. Do not exceed 120lb of material in hopper on ATV's.

ZTR - Zero Turn Radius

The following ZTR specifications are recommended. Review your Vehicle Operators Manual for your vehicle specifications.

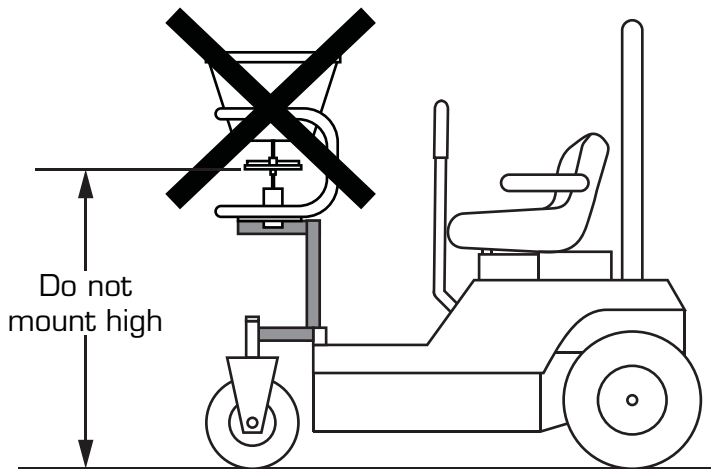
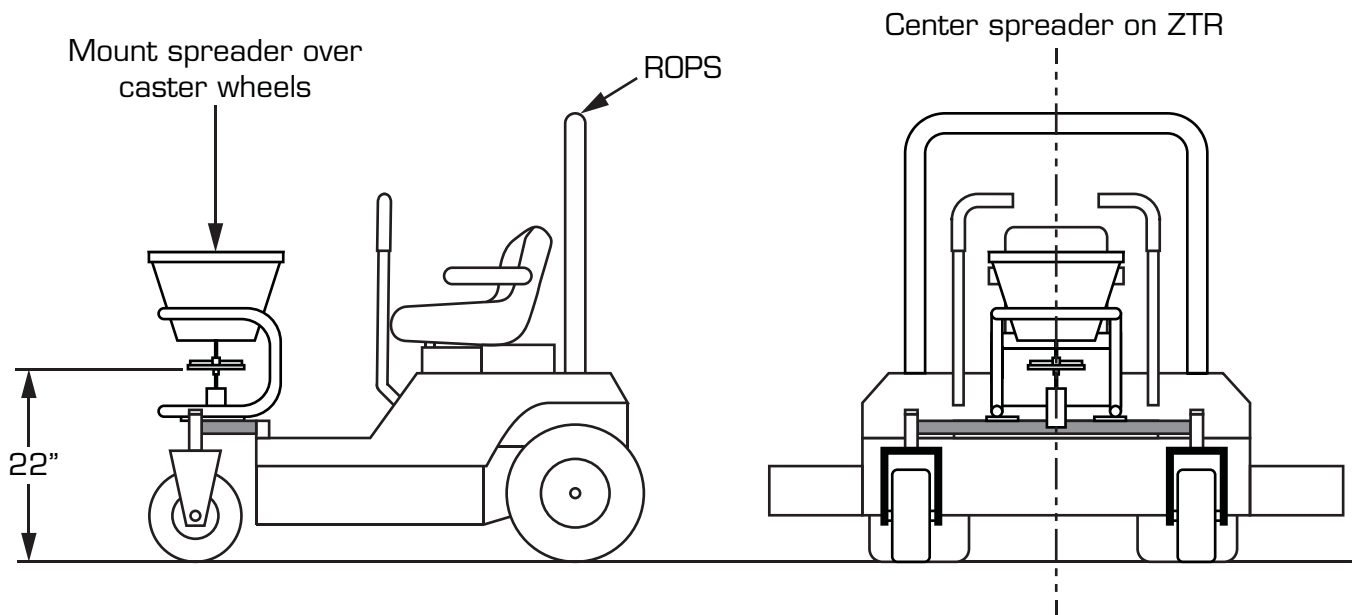
- Minimum vehicle dry weight of 863 lbs **AND**
- Minimum 48" mower deck **AND**
- Must have ROPS (Rollover Protection System) **AND**
- Vehicle tire pressure is at manufacturer's recommended settings **AND**
- Do not exceed 120lb of material in hopper on ZTR's.

Keep the ROPS in the raised and locked position and use the seat belt when operating the vehicle with spreader.

How to Attach to ZTR's

If you are developing your own mount, follow these guidelines:

- Spreader can be mounted to front of vehicle
- Fabricate a mount bracket using a minimum of 2" x 11 gage square steel tubing that attaches spreader frame to front ZTR caster wheel frame.
- Use at least (4) 1/2" diameter bolts to mount spreader frame to square steel tubing.
- Center spreader with Center Line of Vehicle. Do not offset to the Left or Right.
- Do not mount spreader so that it blocks operators field of vision for safe operation.
- Fabricate mount to accommodate the following dimensions:

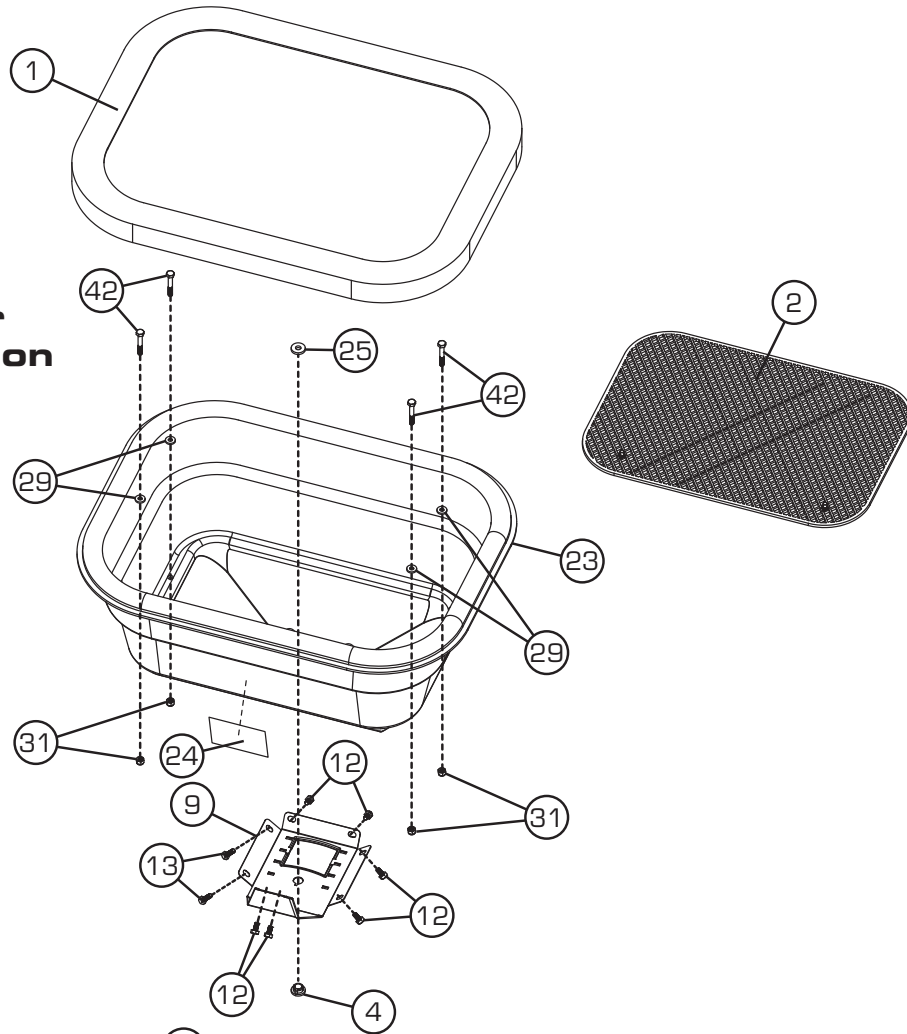


Optional Hopper Extension Kit (Spyker Part #:05-120-3600) is needed to increase hopper capacity to 4 cubic feet. Extension may be used for lighter, fluffy material, but total hopper capacity should not exceed 120 lbs. Do not exceed 120lb of material in hopper on ZTR's.

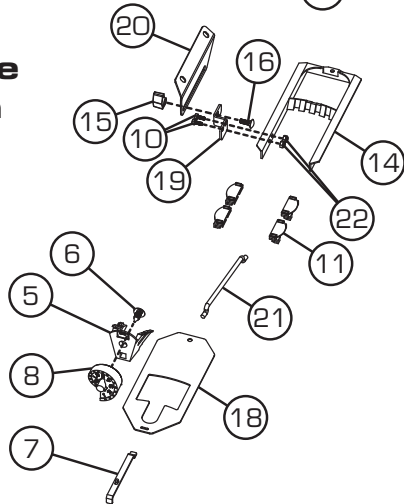
Item	Part Number	Qty	Description
1	1006262	1	Hopper Cover
2	1008720	1	Screen
3	1008734	1	Variable Speed Control
4	1000203	1	Hopper Bottom Bearing
5	1000211	1	Dial Mount
6	1000215	1	Pine Tree Clip
7	1000725-01	1	Rate Gate Link
8	1000733	1	Dial
9	1000766-01	1	Mulch Bottom
10	1001264	6	#10-32 x 1/2" Bolt, SS
11	1001521	4	Rate Gate Guide
12	1004880	6	1/4" x 1/2" Bolt, SS
13	1006084	2	1/4" x 3/4" Bolt, SS
14	1006147	1	Accuway Diffuser
15	1007329	1	T-Knob
16	1007386	5	1/4" x 3/4" Carriage Bolt, SS
17	1007889	6	Nylon Cable Tie (Not Shown)
18	1008244	1	Rate Gate
19	1008705	1	Slide Bracket
20	1008706	1	Slot Bracket
21	1008730	1	Gate Actuator Rod
22	1008748	2	#10-32 Nylon Lock Nut, SS
23	1008755	1	Hopper with Label
24	1008067	1	Spyker Decal
25	1000198	2	Felt Washer
26	1000607	1	Spinner
27	1001351	10	1/4" Washer, SS
28	1001352	4	#10 Washer, SS
29	1001554	4	Nylon Washer
30	1001683	1	Spinner Clip
31	1005198	15	1/4"-20 Nylon Lock Nut, SS
32	1007005	4	#10 Lock Washer, SS
33	1008241	1	Agitator
34	1008733	1	Motor
35	1008744	4	Tube Plug
36	1008756	1	Deflector with Labels
37	1008753	1	Warning Label
38	1008785	1	Caution Label
39	1008757	1	Frame with Label
40	L-1744-6	1	Spyker Serial # Label

Item	Part Number	Qty	Description
41	1008770	1	Bumper Bar
42	2M0828SS	6	1/4" x 1-3/4" Bolt, SS
43	1008711	1	Gate Actuator Bracket
44	1008712	1	Gate Actuator Extension
45	1008742-10	1	Controller Bracket
46	1001248	2	#10 x 5/8" Bolt, SS
47	1001255	4	1/4"-20 x 1" Bolt, SS
48	1001308	3	#10-24 Nylon Lock Nut, SS
49	1001533	2	Nylon Flange Bushing
50	1007888	1	1/4" x 2-1/4" Bolt, SS
51	1008745	1	#10-24 x 2-1/4" Screw, SS
52	1008746	1	Plastic Spacer
53	1008747	1	Grip
54	B-7181	2	1/2" Conduit Clamp
55	1008743	1	Plastic Washer

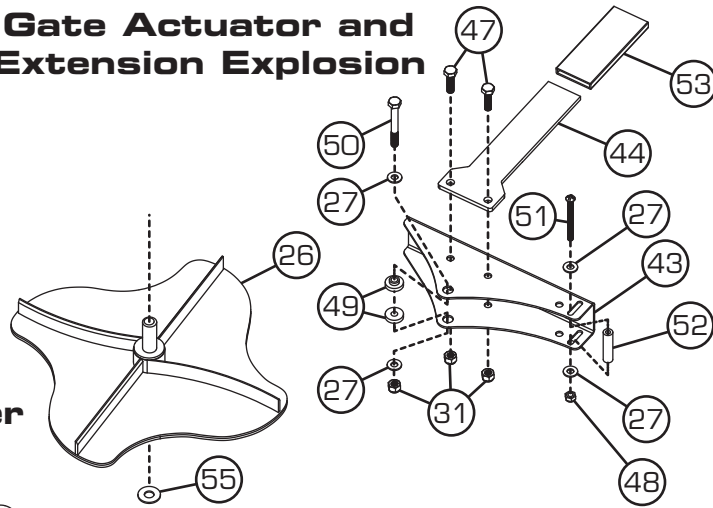
**Hopper
Explosion**



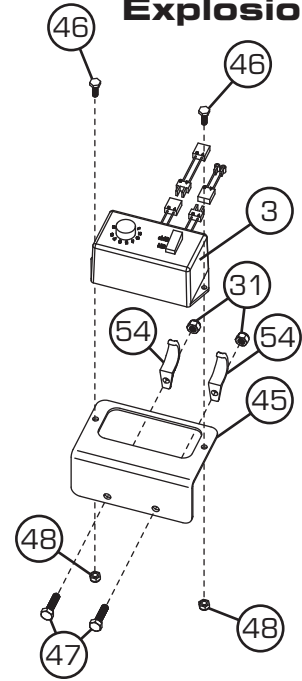
**Rate Gate
Explosion**



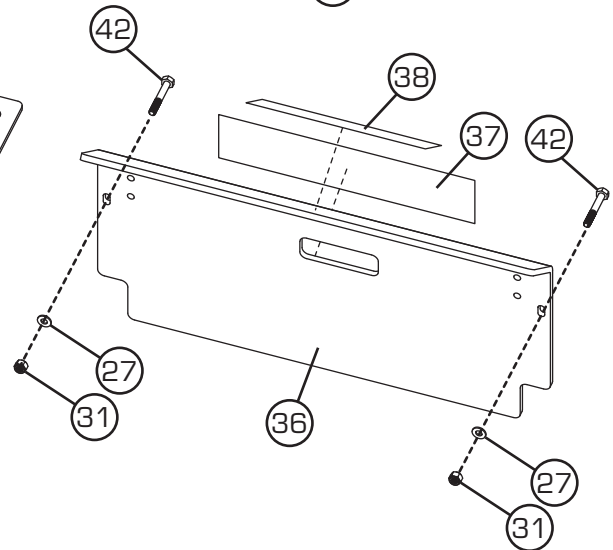
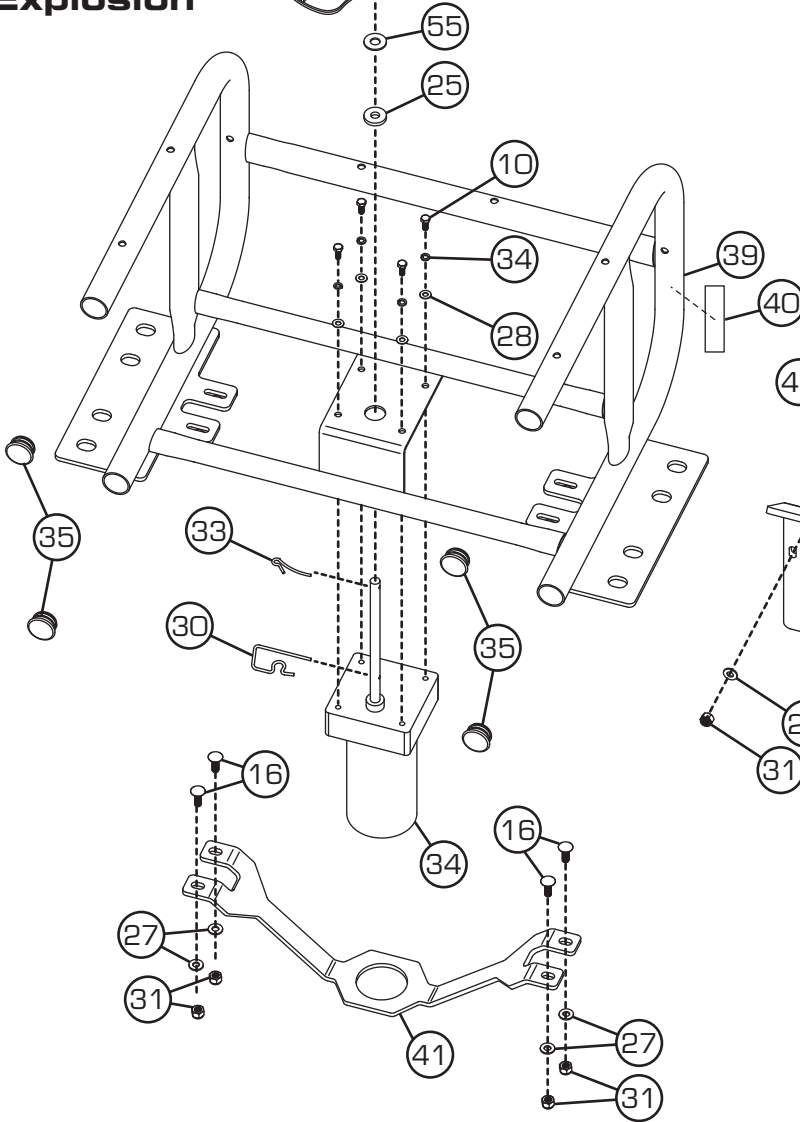
Gate Actuator and Extension Explosion



Speed Control Explosion



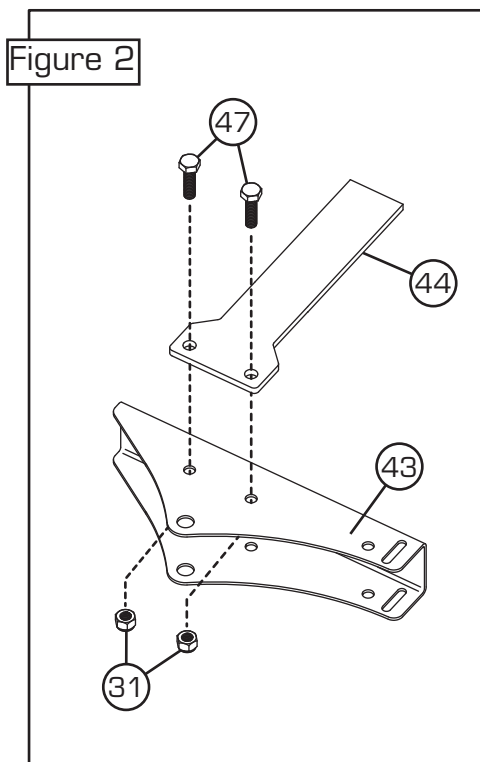
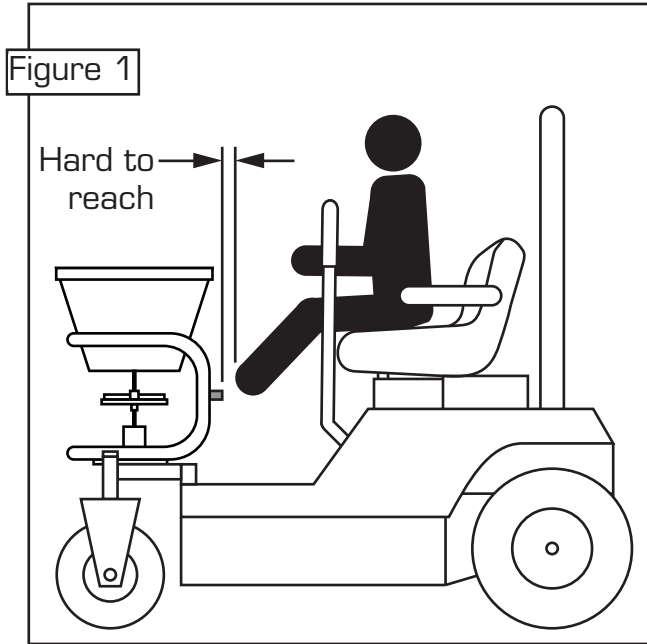
Frame/Spinner Explosion



Deflector Explosion

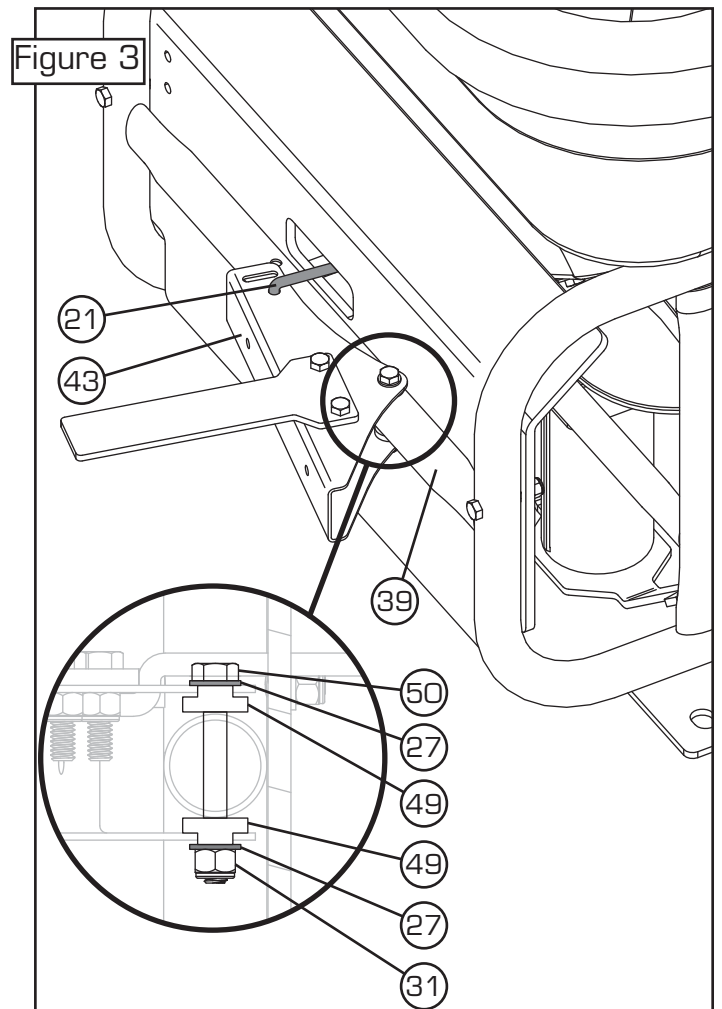
Assembly Instructions

1. Remove spreader and components from carton
2. Place spreader upside down, with top of hopper laying on a flat surface.
3. If spreader will be mounted onto a ZTR and the Gate Actuator Bracket (43) will be difficult to reach with foot (See Figure 1), then the Gate Actuator Extension (44) may be required. Install the Gate Actuator Extension to the Gate Actuator Bracket using two 1/4"-20 x 1" Bolts (47) and two 1/4"-20 Nylon Lock Nuts (31) as shown in Figure 2.

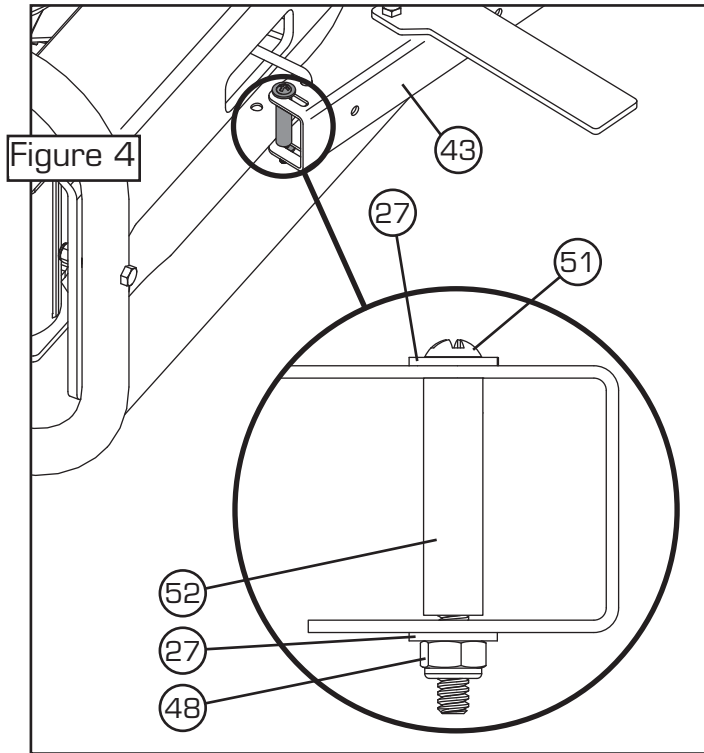


4. If spreader will be mounted onto a vehicle and you will use your hand to open/close the gate actuator, install the extension as explained in Step 3. If the extension will not fit in your particular application, it may be necessary to fabricate a custom extension.
5. Turn Spyker Dial (8) to setting 9.9. Cut the cable tie that is holding the Gate Actuator Rod (21) in place. Slide the Gate Actuator Rod through the Gate Actuator Bracket (43) into the position shown in Figure 3.
6. Attach Gate Actuator Bracket (43) to the Frame (39) using a 1/4" x 2-1/4" Bolt (50), two 1/4" Washers (27), two Nylon Flange Bushings (49), and a 1/4"-20 Nylon Lock Nut (31).

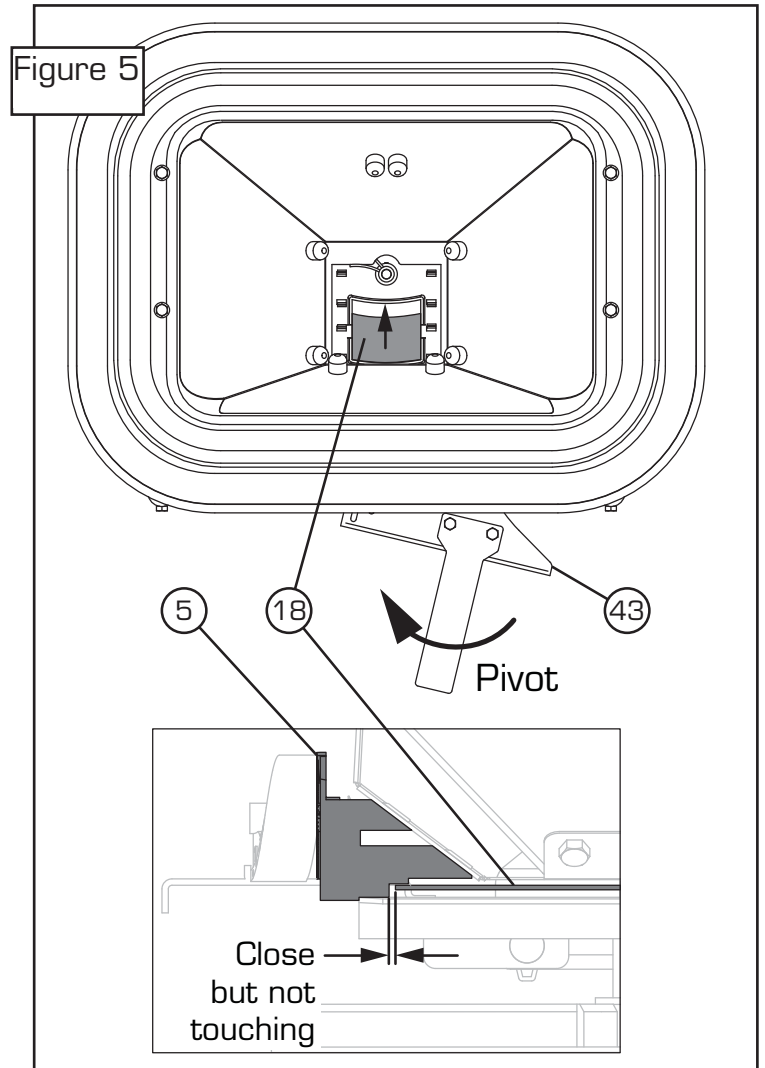
NOTE: Ensure that the Gate Actuator Bracket (43) is assembled at the location and in the orientation shown in Figure 3.



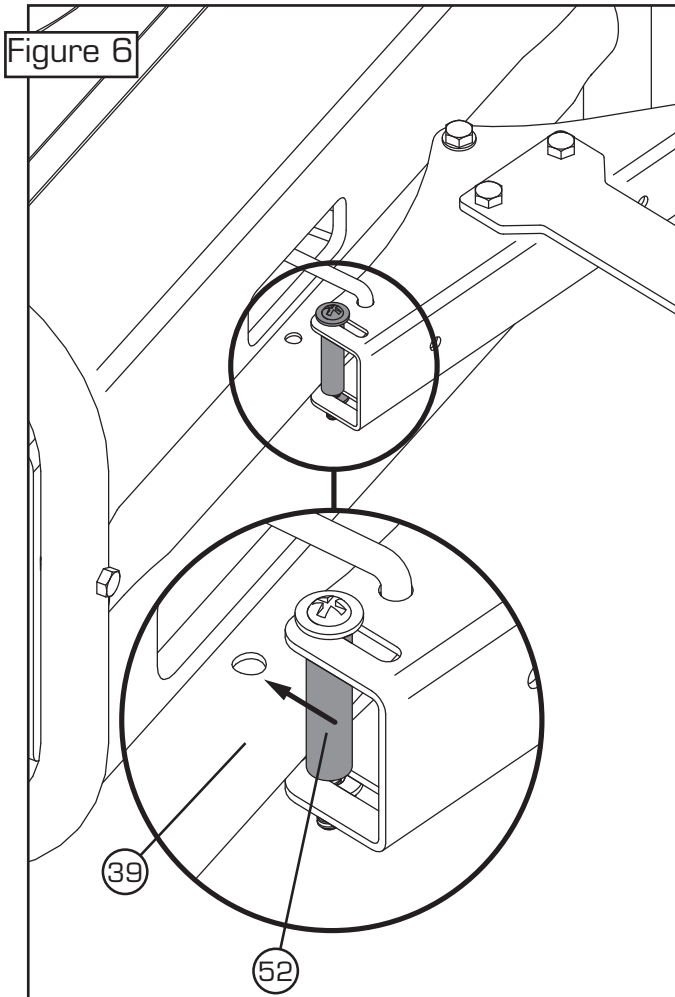
7. Attach Plastic Spacer (52) to Gate Actuator Bracket (43) using one #10-24 x 2-1/4" Bolt (51), two 1/4" Washers (27), and a #10-24 Nylon Lock Nut (48) as shown in Figure 4. Leave loose.



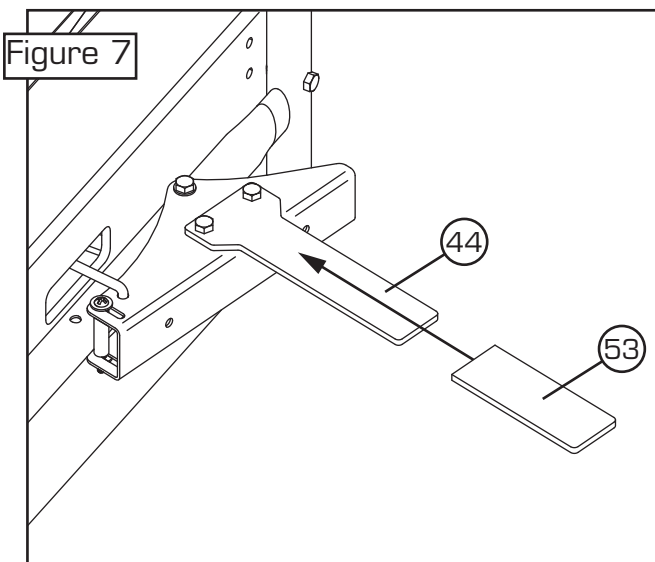
8. Pivot the Gate Actuator Bracket (43) in the direction shown until the Rate Gate (18; See Figure 5) has just closed but isn't pushing against the Dial Mount (5).



9. Adjust the position of the Plastic Spacer (52; See Figure 6) that was assembled in Step 7 so that it is resting against the Frame (39) and tighten the fasteners that hold it in place.



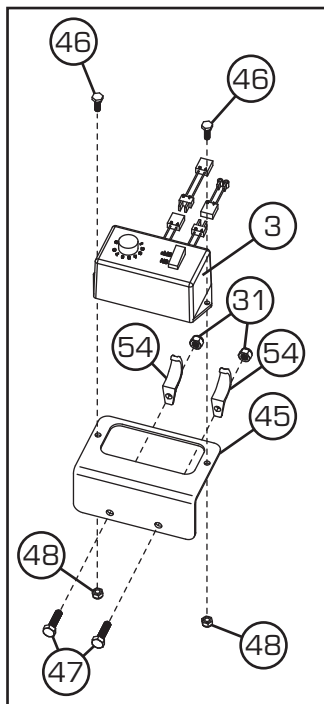
10. Attach Grip (53) to Gate Actuator Extension (44, if applicable) as shown in Figure 7.



11. Turn spreader over and place the Screen (2) into the hopper.

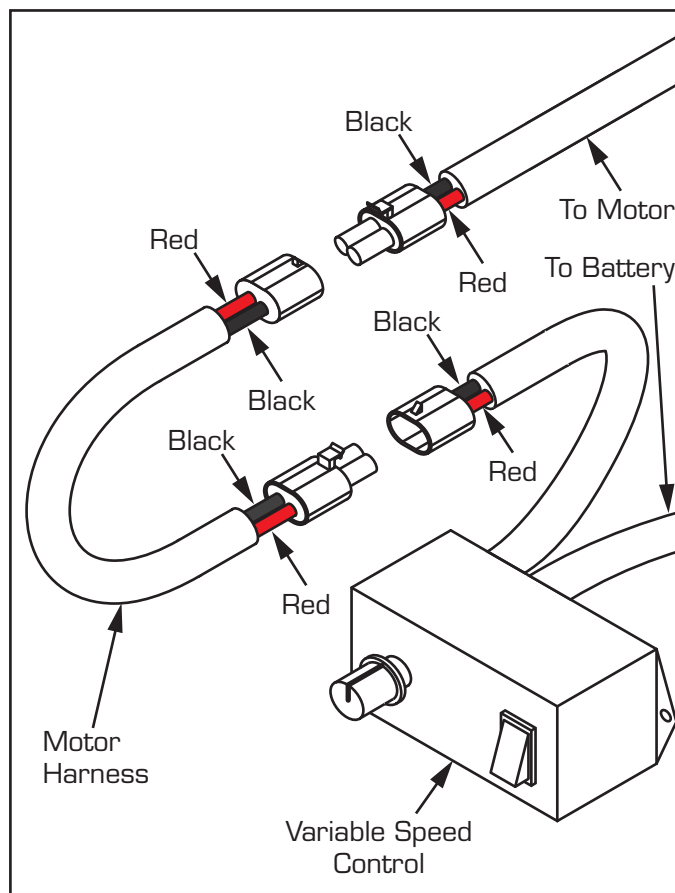
Electrical Assembly Instructions:

1. If you have purchased an optional mount kit, and if those instructions explain how to connect and route an electrical harness, please refer to those instructions. If no instructions are given, continue to Step 2.
2. Ensure spreader is attached to UTV, ATV, or ZTR per mount kit instructions or as described previously in this manual.
3. Attach the Controller Bracket (45) to the Variable Speed Control (3) using two #10 x 5/8" Bolts (46) and two #10-24 Nylon Lock Nuts (48) as shown.



4. Attach the Controller Bracket (45) to a convenient location on your vehicle using the available 1/2" Conduit Clamps (54), 1/4"-20 x 1" Bolts (47), and 1/4"-20 Nylon Lock Nuts (31). Ensure motor controller will not cause a tripping hazard.

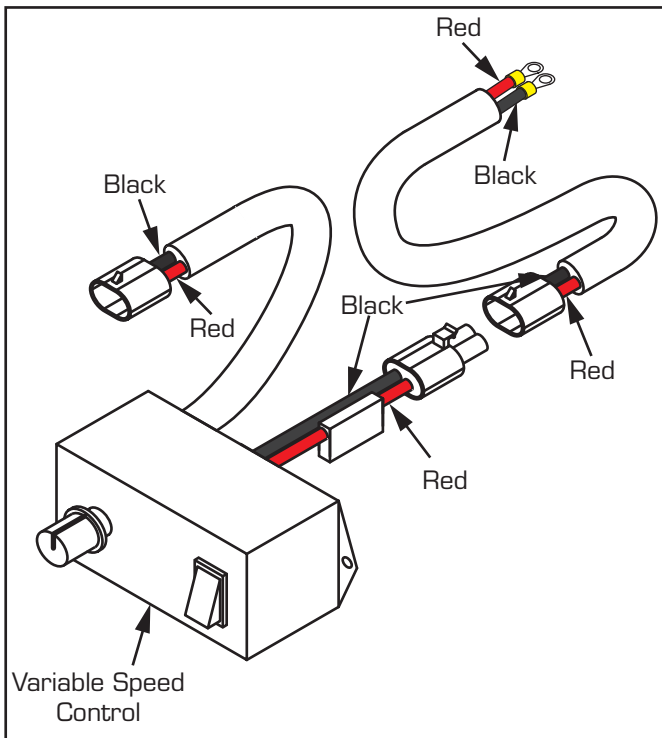
5. Plug in Motor Harness to Motor (34). The Motor connector and Motor Harness connector can only be attached in one way.



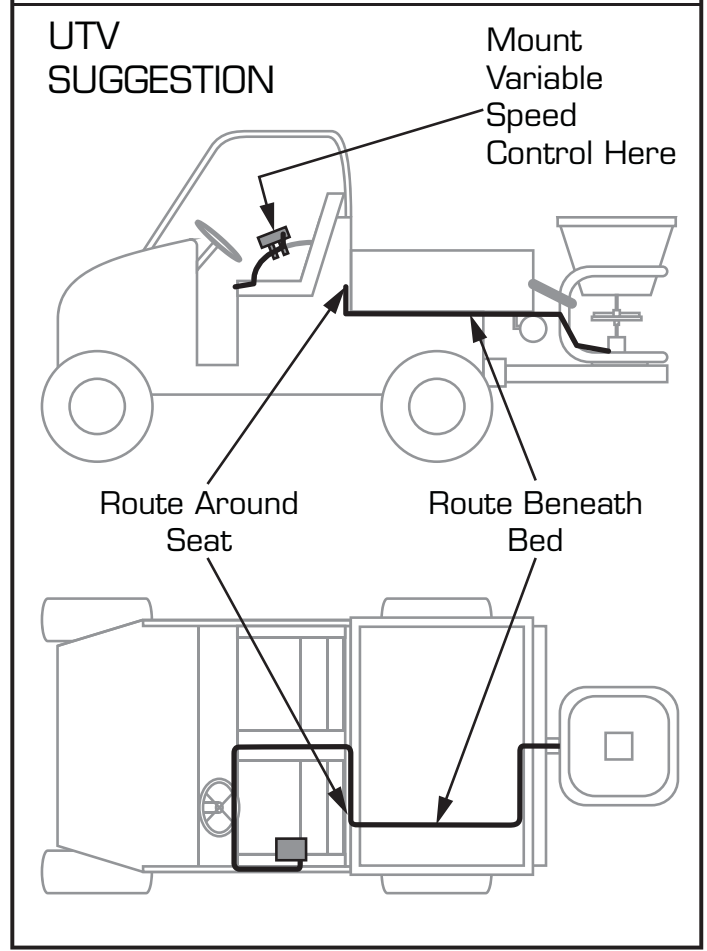
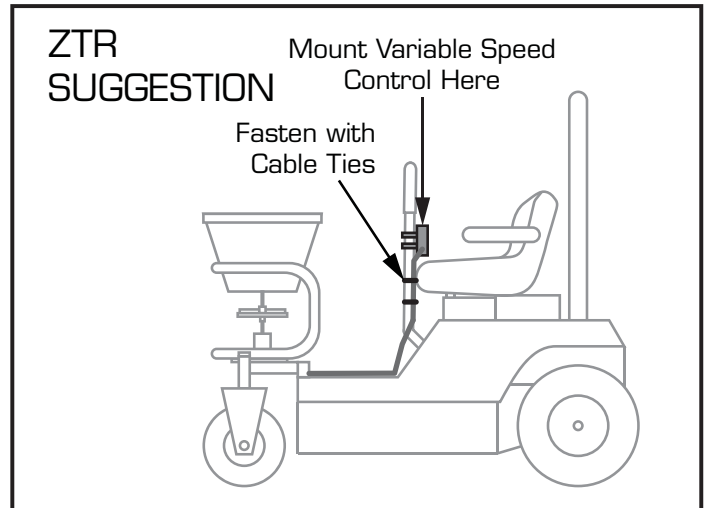
The motor is designed to rotate in reverse so the fan will distribute material properly.

6. Route and plug in Motor Harness to Variable Speed Control. Use the included Cable Ties (17) to properly secure the Motor Harness to the vehicle. Be sure to route wires away from hot surfaces, gas tank fill areas, or areas that could cause tripping hazards.

7. Plug in Battery Harness connector to the Variable Speed Control (3).



8. Route Battery Harness to battery, and use Cable Ties (17) to properly secure to vehicle. Be sure to route wires away from hot surfaces, gas tank fill areas, or areas that could cause tripping hazard.



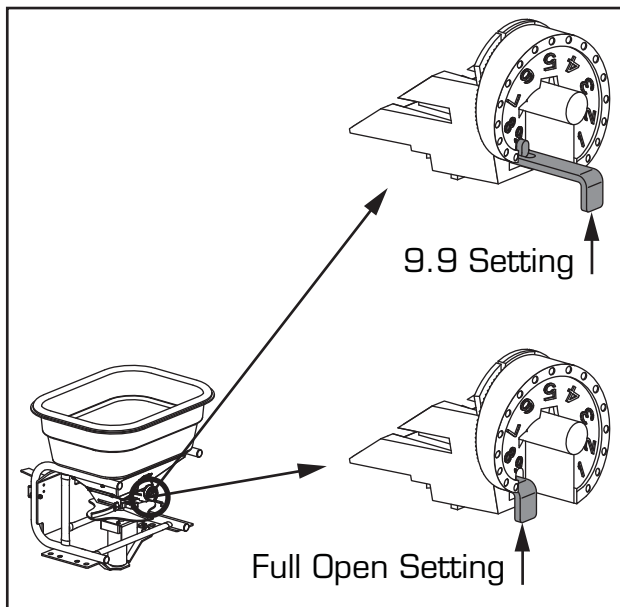
9. Connect the red positive (+) wire of battery harness to positive (+) clamp bolt of battery. Install and tighten nut completely, and slide red battery boot onto positive battery cable post.
10. Connect black negative (-) battery harness to black negative (-) of battery clamp bolt. Install and tighten nut completely.

This page intentionally left blank.

Operation

This unit is designed to handle dry, clean, free-flowing material only such as bagged rock salt, ice melt, fertilizer, and grass seed. Do not use bulk rock salt or water softener salt. It may be necessary to remove agitator for some materials, such as bagged rock salt.

1. The recommended vehicle operating speed when spreading is approximately 3 MPH, or slightly faster than a brisk walk (equal to vehicle traveling 40 ft. in 9 seconds).
2. The rate gate linkage operates the rate gate. The dial is marked from 0 to 9.9. The rate gate linkage position determines the amount of material to be broadcast. The higher the number, the heavier the application of material
3. The dial is milled out at the 9.9 position. This allows the rate gate link to go past the 9.9 position and enables the rate gate to be opened to maximum distance. This setting can be used for dry sand, dry organic top dresses, bagged rock salt, and ice melt products that are normally difficult to spread.



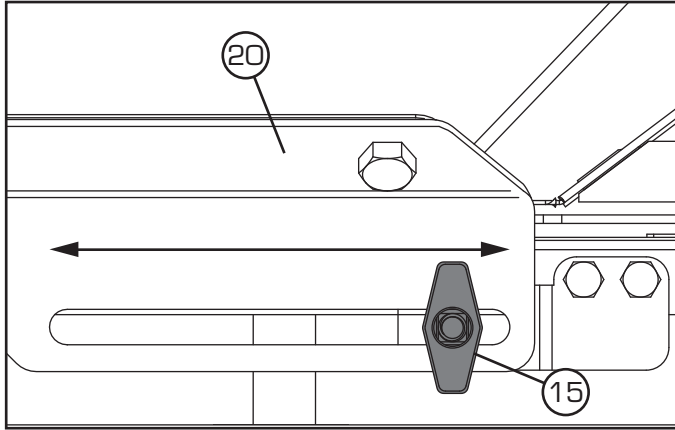
4. Ensure spreader and electrical harnesses are properly attached to vehicle (see Assembly Section).
5. Fill hopper with material. Do not exceed maximum weight capacity of hopper (see Capacity Section).
6. Set dial to correct position. If a Spyker dial setting is not found with broadcast material information, use the size and weight comparison table found on the following pages. Determine a dial setting on the low side. If the setting proves to be too low, cover the area more than one time. A higher setting can be used when a proven dial setting is established.
7. Travel to spreading location.

8. Ensure area surrounding spreader is clear of bystanders.
9. Turn on/off switch ON, and adjust motor speed control dial. The higher the motor speed control setting, the further the broadcast distribution will be. For most fertilizers, the motor speed control can be set at 5 and still obtain a 18' spread width. For grass seeds, the motor speed control can be set at 5 to obtain a 12' spread width.
10. Press the RH side of gate actuator to open hopper gate. Open the gate of the spreader after you are in motion at operating speed (about 3 MPH).
11. Evaluate spread pattern.
12. If spread pattern is OK, continue to spread at recommended speed of 3 MPH.
13. If spread pattern needs to be adjusted, go to Accuway Spread Pattern Adjustment Section.
14. Press LH side of gate actuator to close gate. Close the gate of the spreader while still at operational speed.
15. Turn on/off switch to OFF to stop fan.

Accuway Spread Pattern Adjustment

Caution! To avoid injury to hand, ensure motor controller is switched OFF before adjusting Accuway.

As you spread, if the spread pattern is skewing or flowing heavy to one side, simply loosen the T-knob (15) on the Accuway plate (20) and slide the T-knob forwards or backwards.



Travel ↑		
Spread Pattern	Heavy to Left	Heavy to Right
Set Accuway to:		
New Spread Pattern		

Moving the Accuway plate shifts the material on the spinner. Adjustment is very sensitive and should be done in small increments until the spread pattern is centered.

Spreading Chart

This unit is designed to handle dry, clean, free-flowing material only such as bagged rock salt, ice melt, fertilizer, and grass seed. Do not use bulk rock salt or water softener salt. It may be necessary to remove agitator for some materials, such as bagged rock salt.

SPEED - ACCURACY - FREEDOM FROM STRIPES AND STREAKS are yours - when you use this Spreader. The spread width ranges from 6 ft. to 25 ft. wide, depending on the volume/density, particle size of the material and the rate of travel. The spread thins or feathers at the outer edges, eliminating sharp, "Edge of spread" lines which cause stripes and streaks.







REMEMBER- Published dial settings can be approximate only. The operation of the spreader, the condition of the material (damp or dry or over-pulverized) and weather conditions, are all contributing factors.

For these reasons, it's often a good idea to spread the area 2 times - at one-half rate - in cross directions. Vehicle travel speed should be 3 MPH.

CAUTION. Avoid injury! Chemicals can be dangerous. Avoid injury to operator or bystanders.

- Read chemical MSDS (Material Safety Data Sheets) and container label for proper/safe handling instructions.
- Wear appropriate clothing and safety equipment when applying and handling chemicals.
- Prohibit smoking, drinking, and eating around chemicals.

WARNING: When spreading products containing herbicides, exercise extreme caution with respect to careless spreading and to wind-drift. CONTACT OF SOME PRODUCTS ON SOME PLANTS CAN BE FATAL.

NOTE: Dial Settings Are Approximate Only !			Dial Settings		Dial Settings	
Product	Particle Size	Lbs. per 1000 sq. ft.	Full Rate Once Over	↑	↓	Half Rate Twice Over
Fine Pellets		1	3.6			3.1
		2	4.0			3.5
		3	4.2			3.7
Mixed Fine Pellets		2	3.7			3.2
		4	4.7			4.1
		6	5.2			4.5
Small Pellets		2	3			2.2
		4	4.2			3.7
		6	4.5			4
Nitrogen Pellets Medium Size		1	3.5			3
		2	4.2			3.7
		3	4.7			4
Medium Pellets And Granuals		2	3.5			3
		4	4.2			3.8
		6	5.2			4.5
Large Heavy Pellets		2	3.8			3.3
		4	4.9			4.1
		6	5.9			4.9

GRASS SEED SPREADING CHART					
Product	Bag Weight	Sq. Ft. Coverage	Dial Setting Full Rate	Dial Setting Half Rate	Spread Width
Blue Grass or Red Top	.5 lbs.	1,000	1.25		4
	1 lbs.	1,000	2.0		4
	2 lbs.	1,000	2.5		4
Park, Merion, Delta, or Kentucky Bluegrass	.5 lbs.	1,000	2.5		4
	1 lbs.	1,000	3.0		4
	2 lbs.	1,000	3.5		4
Hulled Bermuda	2 lbs.	1,000	2.75	2.25	6
	3 lbs.	1,000	3.0	2.5	6
	4 lbs.	1,000	3.25	2.75	6
Mixtures Including Coarse Seeds	2 lbs.	1,000	6.0		6
	4 lbs.	1,000	7.0		6
	6 lbs.	1,000	7.0		6
Rye Grasses or Tall Fescue	2 lbs.	1,000	6.0		6
	4 lbs.	1,000	7.0		6
	6 lbs.	1,000	7.75		6
Dichondra	4 oz.	1,000	1.9		8
	8 oz.	1,000	2.1		8
	12 oz.	1,000	2.5		8
Pensacola Bahia	4 lbs.	1,000	4.5	3.75	7
	5 lbs.	1,000	4.75	4.0	7
	6 lbs.	1,000	5.0	4.25	7

Cleaning Spreader

- Use appropriate footwear, eye protection, and clothing when cleaning spreader.
- The key to years of trouble-free service is to keep your spreader clean and dry.
- Never allow material to remain in hopper for extended periods of time.
- Empty material from hopper at the end of each day.
- Use a hose or wipe excess material off spreader at the end of each day.
- To avoid damage to motor and electrical system, do not spray motor directly or pressure wash.
- Open and close gate as you rinse to avoid build up of material.
- Quickly towel dry spreader.
- Use dielectric grease on electrical connections to prevent corrosion.

Storing Spreader

- Stop machine on level ground.
- Stop machine engine.
- Lock machine park brake.
- Disconnect spreader motor harness from machine's battery.
- Remove all material from the hopper before removing spreader from machine. The spreader should be clean and dry before storing. See cleaning spreader section.
- Remove spreader from machine.
- Store spreader upside down, with top edge of spreader on the ground.

Maintenance

- Understand service and maintenance procedure before performing any work on this machine or spreader.
- Do not operate the engine in a confined space where carbon monoxide and other fumes can accumulate.
- Never lubricate, service, or adjust the machine or spreader while it is moving or running.
- Keep hands, feet, clothing, hair, and loose items away from any moving parts.
- Disconnect battery before making any repairs.

- Keep all parts in good condition and operating properly. Fix damages immediately. Replace all worn or damaged parts (including safety decals).
- If agitator is worn, replace with Spyker part #1008241. Do not use any other agitator.
- Check all hardware at frequent intervals to ensure they are tight.

Capacities

- Spreader empty weight with gate actuator = 34 lbs.
- Hopper Volume Capacity = 2.0 cubic feet.
- Maximum weight capacity of spreader hopper = 120#
- Maximum weight capacity with optional hopper extension kit (Spyker Part #:05-120-3600) = 220 lbs (Do not exceed 120lbs hopper weight on ATV's or ZTR's)

Troubleshooting

PROBLEM	CAUSE/CONDITION	REMEDY
Too much/not enough material dispensed	Rate gate not opened to correct position	Check dial settings and rate gate linkage position
Rate gate linkage will not open fully	Dial is in wrong position	Turn dial so milled out portion (#9.9) allows gate to open fully
Motor is not turning on	Battery harness not connected to battery	Ensure battery harness is properly connected to battery and motor controller.
	Motor harness not connected to motor	Ensure motor harness is connected to motor and motor controller.
	Fuse is blown	Check and replace 15 amp fuse. To avoid electrical damage, only use 15 amp.
	On/Off switch light is flashing on and off every 2 seconds	Under voltage condition. Turn switch off, wait 5 seconds and turn switch on.
	On/Off switch light is flashing on and off every 1 second	Overload condition, Turns switch off, wait 5 seconds and turn switch on. If problem continues, turn switch off.
	Material is too dense, compact, or moist.	Turn off switch, remove agitator.
Material is not falling through hopper gate	Material is too moist	Scoop material from hopper and replace with dry material
	Material is clumpy	Ensure screen is in place.
	Gate is not opened far enough for material type	Open gate in small increments.
Agitator is missing or worn	High amount of usage	Replace agitator with part number 1008241. Do not use any other agitator.



1 YEAR LIMITED WARRANTY

This is warranted to the original purchaser only. Spyker will replace parts with defects in materials and workmanship, for a period of one year from the date of purchase.

For Spyker Spreaders—a Brinly-Hardy Company, products employing metal gear systems, pinion and bevel, these metal gears, only, not inclusive of any other parts or materials, are warranted for the life of the spreader, not to be used for replacement or repair past original purchase.

Spyker Spreaders will not be liable for any loss, damage or expense including, but not limited to, consequential or incidental damages, arising from the operation, condition or use of the item. The sole and exclusive remedy against Spyker Spreaders being the replacement of the defective parts. This warranty gives you specific legal rights, and you may also have other rights which vary from state to state.

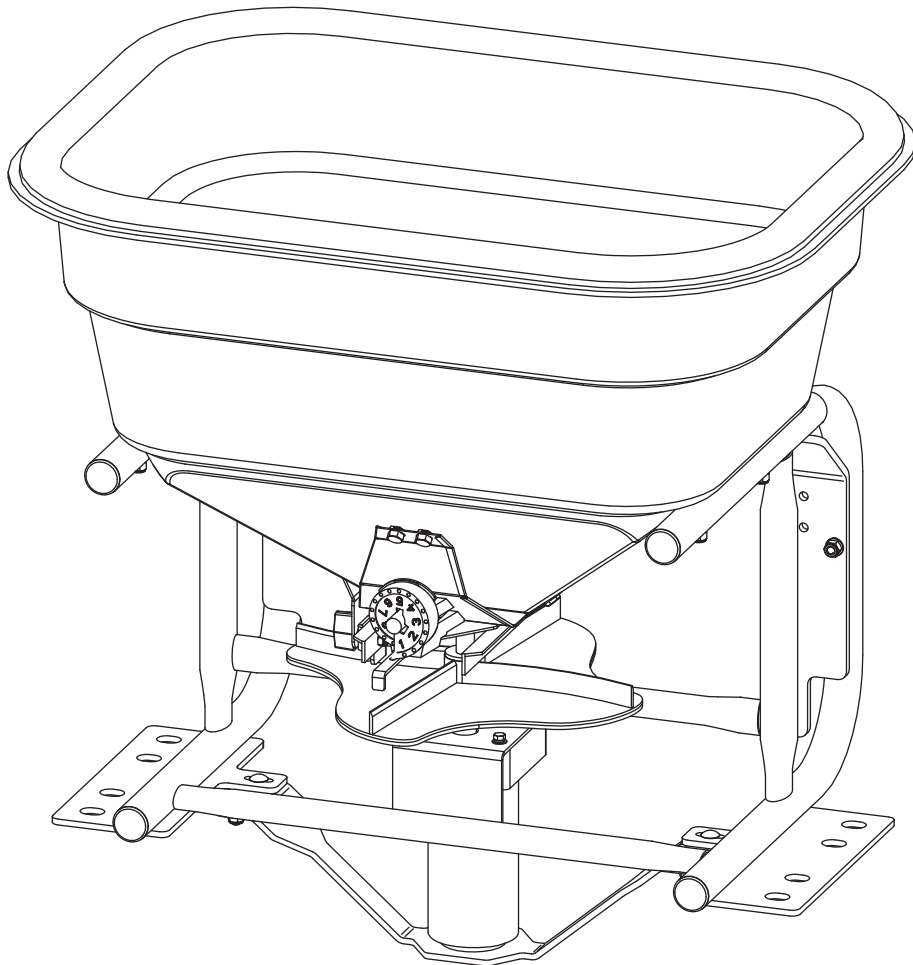
This express warranty, which is applicable only to the original purchase, is in lieu of and excludes all other warranties, whether expressed or implied by operation of law or otherwise, including any warranty of merchantability or fitness for particular purpose.

**SPYKER SPREADERS
Jeffersonville, IN 47130 USA
Phone: 800.972.6130**



Manuel de l'utilisateur

Modèle S80-12010



▲IMPORTANT le présent manuel renferme des renseignements relatifs à la sécurité des personnes et des biens. Lisez-le attentivement avant d'assembler et d'utiliser l'équipement!

Épandeurs Spyker
Communiquez avec nous au 1-800.972.6130

SÉCURITÉ

ÉTIQUETTES RELATIVES À LA SÉCURITÉ

COMPRÉHENSION DES ÉTIQUETTES DE SÉCURITÉ APPOSÉES SUR LA MACHINE :

Les étiquettes relatives à la sécurité illustrées dans cette section sont apposées sur des zones importantes de la machine pour mettre en évidence les dangers potentiels pouvant porter atteinte à la sécurité.

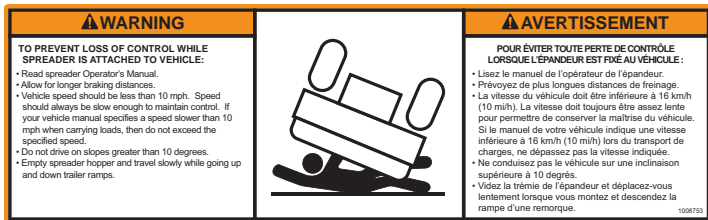
Les étiquettes relatives à la sécurité apposées sur la machine portent les mentions DANGER, AVERTISSEMENT et MISE EN GARDE accompagnées de ce symbole d'alerte à la sécurité. La mention DANGER identifie les dangers les plus graves.

Le manuel de l'utilisateur explique également, lorsque nécessaire, plusieurs dangers potentiels relatifs à la sécurité à l'aide de messages spéciaux de sécurité qui sont identifiés par la mention MISE EN GARDE et le symbole d'alerte à la sécurité.



Symbole d'alerte à la sécurité

Étiquettes de sécurité sur l'épandeur



1008753



1008785

Utilisation de façon sécuritaire - Généralités

- Veuillez lire ce manuel, ainsi que celui du véhicule auquel vous fixez l'épandeur. Vous devez connaître parfaitement les commandes et l'utilisation appropriée de l'équipement. Apprenez à arrêter

le véhicule et à désengager les commandes rapidement.

- Cet épandeur est conçu pour être utilisé lors de l'entretien de pelouse et pour des applications de produits de fonte de neige et de glace uniquement. Ne l'utilisez pour aucune autre application que celles prévues par le fabricant.
- Ne laissez aucune personne inexpérimentée ou des enfants utiliser l'épandeur.
- Ne laissez personne monter sur l'épandeur, surtout pas les enfants. Les passagers pourraient se blesser en se heurtant à des objets ou en étant éjectés. Il se peut également que les passagers bloquent la vue du conducteur, ce qui rend dangereuse la manipulation du véhicule.
- Maintenez les passants à distance lors de l'utilisation de l'épandeur.
- Évitez de placer vos mains, pieds, vêtements, cheveux et éléments lâches à proximité des pièces mobiles. L'absence de vérification peut engendrer des blessures.
- Afin d'éviter les blessures aux mains :
 - Ne mettez jamais les mains dans la trémie ni n'ajustez la commande directionnelle Accuway lorsque le moteur tourne.
 - Si vous utilisez vos mains pour ouvrir ou fermer le dispositif de commande de trappe, utilisez une extension.

Utilisation de façon sécuritaire - Équipement de protection individuelle

- Portez toujours une protection pour les oreilles et les yeux lorsque vous utilisez l'épandeur.
- Portez des vêtements, des chaussures et un équipement de protection adéquats lorsque vous utilisez l'épandeur.
- N'utilisez pas l'épandeur lorsque vous êtes pieds nus ou portez des sandales ouvertes.

Méthode recommandée pour les véhicules et l'accessoire remorqué

Si vous avez acheté un ensemble de montage en option, suivez les instructions pour l'ensemble de montage afin d'assembler correctement l'épandeur au véhicule. Si un ensemble de montage n'est pas disponible pour votre véhicule et que vous fabriquez votre propre ensemble, veuillez lire et comprendre ce qui suit.

Cet épandeur doit être uniquement attaché à un véhicule à quatre roues. Les types de véhicules recommandés et les exigences de véhicules minimales nécessaires afin de fixer correctement l'épandeur sont les suivants. Bien que d'importants efforts aient été réalisés afin de s'assurer que les véhicules recommandés peuvent être utilisés en toute sécurité, il est de la responsabilité du conducteur d'utiliser l'épandeur et le véhicule selon les pratiques de fonctionnement sécuritaires suivantes.

- Lorsque l'épandeur est fixé au véhicule, vous devez savoir que les caractéristiques de conduite du véhicule peuvent être affectées. Afin d'éviter la perte de contrôle lorsque l'épandeur est attaché au véhicule.
 - Veuillez lire le manuel d'utilisateur de l'épandeur.
 - Tenez compte des distances de freinage plus longues.
 - La vitesse du véhicule ne doit pas dépasser les 16 km/h (10 mi/h). La vitesse doit être assez lente pour permettre de toujours conserver la maîtrise du véhicule. Si le manuel de votre véhicule mentionne une vitesse inférieure à 16 km/h (10 mi/h), vous ne devez pas dépasser la vitesse indiquée.
 - Ne conduisez pas sur des pentes supérieures à 10 degrés.
 - Videz la trémie de l'épandeur et déplacez-vous doucement lors des montées et des descentes de rampes de remorques.
- Ne conduisez pas sur des pentes humides. Une piste glissante réduit la traction et peut engendrer une perte de contrôle.
- Regardez derrière la machine avant de faire marche arrière. Faites marche arrière prudemment.
- Avancez lentement sur les terrains accidentés.
- Lors du chargement de la trémie de l'épandeur, ne dépassez pas le poids maximal.
- Répartissez la charge uniformément dans la benne de chargement (VUTT) ou le panier à fret (VTT).

VUTT - Véhicule utilitaire tout-terrain

Les caractéristiques de VUTT suivantes sont recommandées. Passez en revue votre manuel d'utilisateur concernant les caractéristiques de votre véhicule.

- Poids sec minimum du véhicule de 476 kg (1 050 lb) **ET**
- Empattement minimum de 180 cm (70,9 po) **ET**
- Capacité de charge minimum de 363 kg (800 lb) **ET**
- Pression des pneus du véhicule réglée selon les recommandations du fabricant **ET**
- Le poids total en charge (PTC) du véhicule ne doit jamais dépasser le poids total autorisé en charge (PTAC) de la machine. Le non-respect de cette consigne peut limiter les caractéristiques de conduite d'une machine. Pour calculer le PTC, additionnez les éléments suivants :
 - (A) Poids à vide du véhicule (Liquides pleins. Voir le manuel de l'utilisateur du véhicule)
 - (B) Poids des occupants (conducteur + passager le cas échéant)
 - (C) Poids du chargement de la benne de fret (Ne pas dépasser la capacité maximale de la benne de fret)
 - (D) Poids des accessoires optionnels du véhicule (cabine, lame chasse-neige, etc.)
 - (E) Poids de l'épandeur (voir la section Capacités)
 - (F) Poids du produit dans la trémie (ne pas dépasser la capacité de la trémie. Voir la section Capacité)
 - (G) Poids du montage de l'épandeur

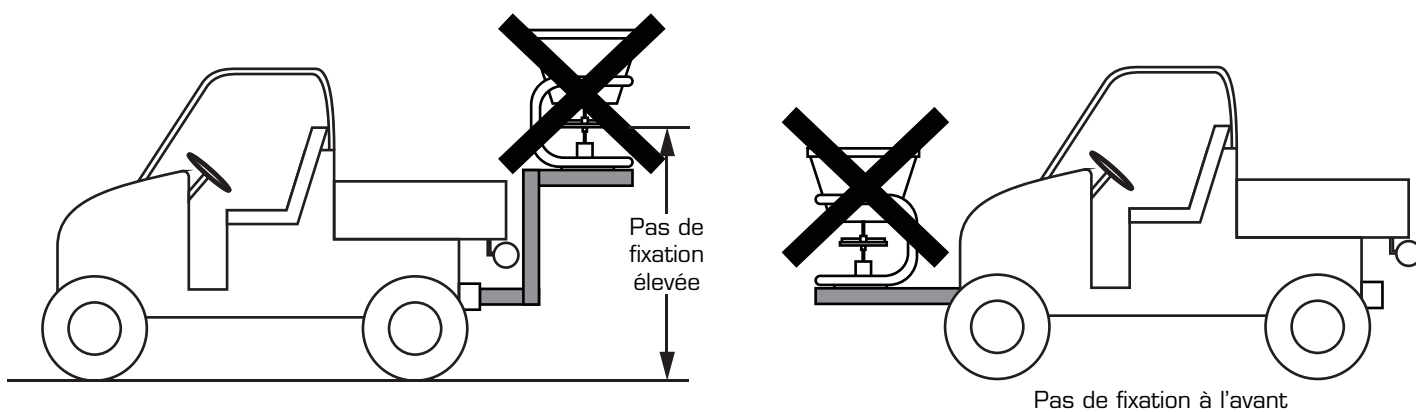
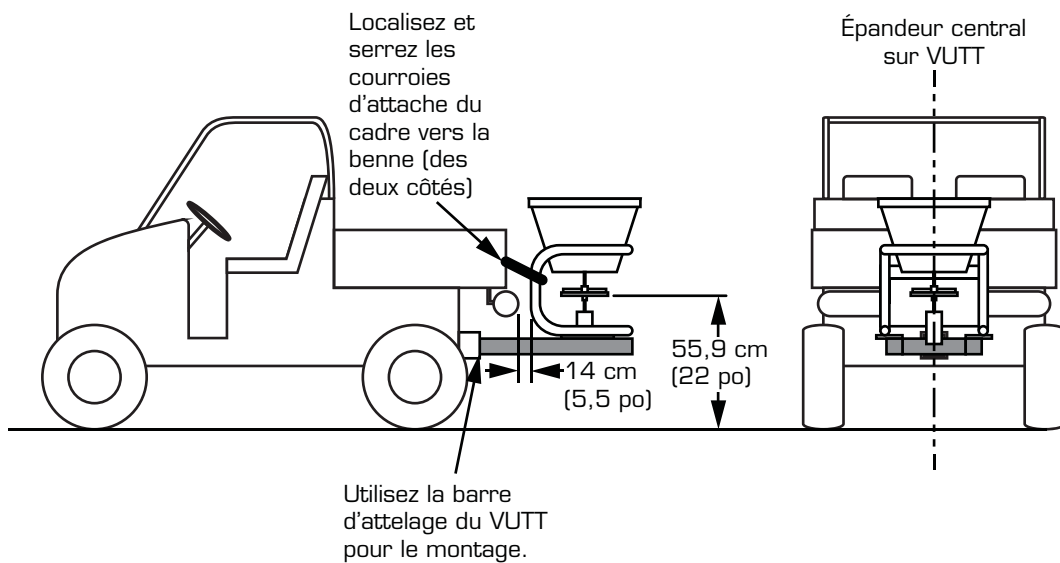
$$PTC = A+B+C+D+E+F+G$$

Le PTC doit être inférieur au PTAC (voir le manuel d'utilisateur du véhicule pour la cote). Si ce n'est pas le cas, n'utilisez pas le véhicule et diminuez son poids jusqu'à ce que le PTC soit inférieur au PTAC.

Méthode de fixation au VUTT

Si vous mettez au point votre propre montage, suivez ces directives :

- L'épandeur doit être fixé à l'arrière du véhicule, à l'aide de la barre d'attelage du VUTT comme support principal
- Fabriquez un support de fixation à l'aide d'un tube en acier carré d'au moins 5 cm (2 po) x 11 d'épaisseur, afin de fixer le cadre de l'épandeur à la barre du VUTT.
- Utilisez des boulons (4) d'au moins 12,7 mm (1/2 po) de diamètre pour fixer le cadre de l'épandeur au tube en acier carré.
- Épandeur central avec ligne centrale du véhicule. Ne décalez ni sur la gauche ni sur la droite.
- Pour un support additionnel, utilisez des courroies d'attache à cliquet afin de fixer le cadre de l'épandeur à la benne du VUTT.
- Fabriquez la fixation afin de correspondre aux dimensions suivantes :



L'ensemble pour câble en option (n° de pièce Spyker : KSP14-CAB1) est recommandé afin d'ajuster la trappe de débit depuis le siège conducteur du VUTT.

L'ensemble d'extension de la trémie en option (n° de pièce Spyker : 05-120-3600) est nécessaire afin d'augmenter la capacité de la trémie jusqu'à 1,22 m³ (4 pi. cubes) (ne pas dépasser un total de 54,4 kg (220 lb)).

VTT - Véhicule tout-terrain

Les caractéristiques de VTT suivantes sont recommandées. Passez en revue votre manuel d'utilisateur concernant les caractéristiques de votre véhicule.

- Poids sec minimum du véhicule de 279 kg (615 lb) **ET**
- Empattement minimum de 123 cm (48,4 po) **ET**
- Capacité minimum du panier arrière de 80 kg (176 lb) **ET**
- Pression des pneus du véhicule réglée selon les recommandations du fabricant **ET**
- Ne dépassez pas les 54,4 kg (120 lb) de produit dans la trémie du VTT **ET**
- Ne dépassez pas la capacité de poids maximale du véhicule. Pour calculer, additionnez les éléments suivants :
 - (A) Poids du conducteur
 - (B) Poids de la benne arrière
 - (C) Poids de la benne avant
 - (D) Poids des accessoires (lame chasse-neige, etc.)
 - (E) Poids de l'épandeur (voir la section Capacités)
 - (F) Poids du produit dans la trémie (ne pas dépasser les 54,4 kg (120 lb))
 - (G) Poids du montage de l'épandeur

$$\text{Capacité de poids} = A+B+C+D+E+F+G$$

La capacité de poids doit être inférieure à la capacité de poids maximale (voir le manuel d'utilisateur du véhicule). Si ce n'est pas le cas, n'utilisez pas le véhicule et diminuez son poids jusqu'à ce que la capacité de poids soit inférieure à la capacité de poids maximale.

- Ne dépassez pas la capacité de poids du panier arrière

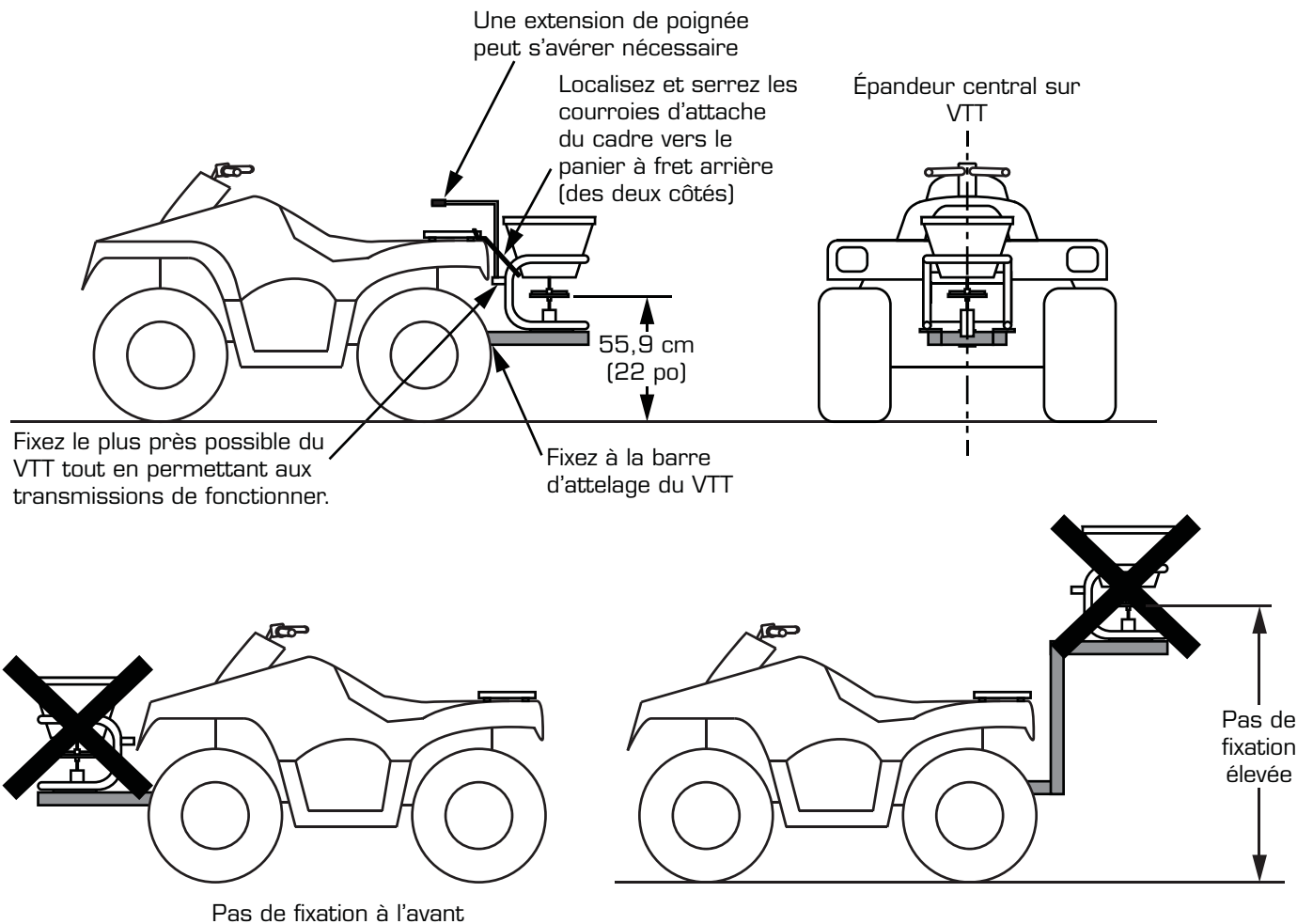
$$\text{Poids arrière} = B+E+F+G$$

Le poids arrière doit être inférieur à la capacité de poids du panier arrière (voir le manuel d'utilisateur du véhicule). Si ce n'est pas le cas, n'utilisez pas le véhicule et diminuez son poids jusqu'à ce que le poids arrière soit inférieur à la capacité de poids du panier arrière.

Méthode de fixation au VTT.

Si vous mettez au point votre propre montage, suivez ces directives :

- L'épandeur doit être fixé à l'arrière du véhicule, à l'aide de la barre d'attelage du VTT comme support de montage principal.
- Fabriquez un support de fixation à l'aide d'un tube en acier carré d'au moins 5 cm (2 po) x 11 d'épaisseur, afin de fixer le cadre de l'épandeur à la barre du VTT.
- Utilisez des boulons (4) d'au moins 12,7 mm (1/2 po) de diamètre pour fixer le cadre de l'épandeur au tube en acier carré.
- Épandeur central avec ligne centrale du véhicule. Ne décalez ni sur la gauche ni sur la droite.
- Pour un support additionnel, utilisez des courroies d'attache à cliquet afin de fixer le cadre de l'épandeur au panier à fret arrière du VTT.
- Fabriquez la fixation afin de correspondre aux dimensions suivantes :



L'ensemble d'extension de la trémie en option (n° de pièce Spyker : 05-120-3600) est nécessaire afin d'augmenter la capacité de la trémie jusqu'à 1,22 m³ (4 pi. cubes). Une extension peut être utilisée pour les produits duveteux et plus légers, mais la capacité totale de la trémie ne doit pas dépasser les 54,4 kg (120 lb). Ne dépassez pas les 54,4 kg (120 lb) de matière dans la trémie du VTT.

RBZ - Rayon de braquage zéro

Les caractéristiques de RBZ suivantes sont recommandées. Passez en revue votre manuel d'utilisateur concernant les caractéristiques de votre véhicule.

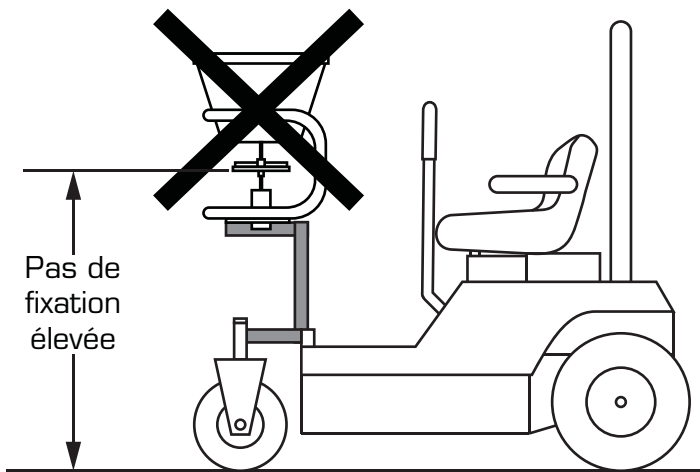
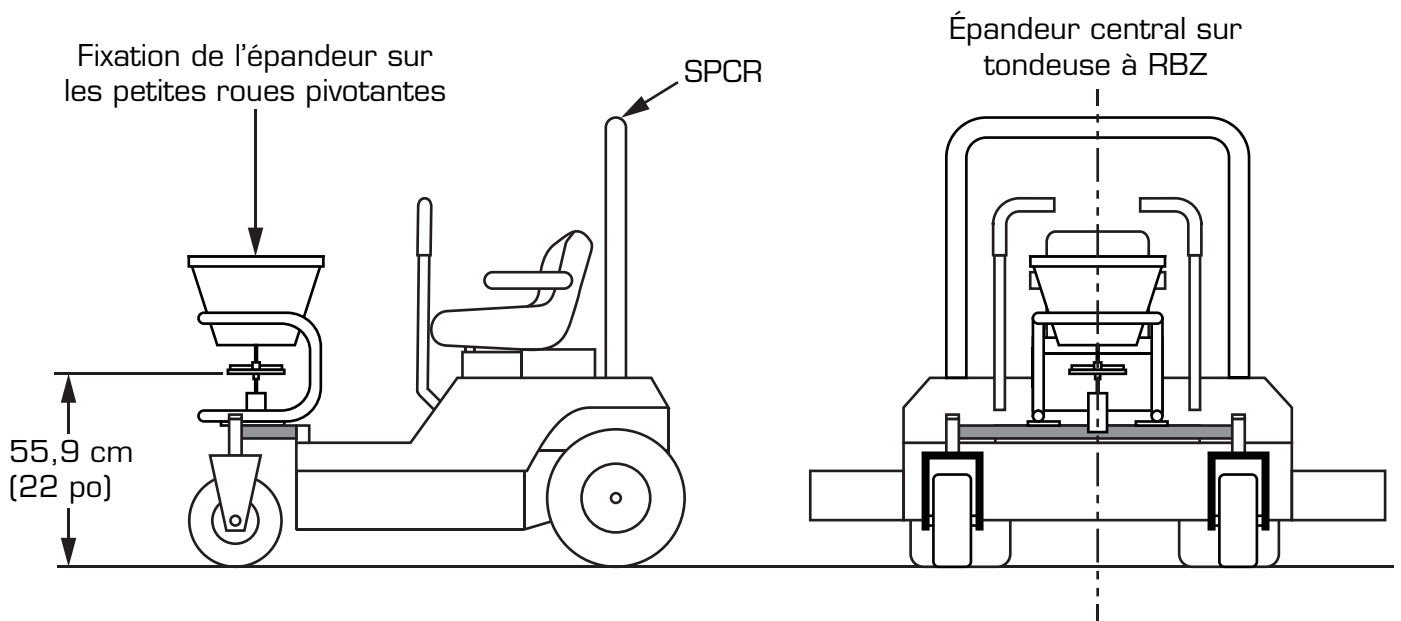
- Poids sec minimum du véhicule de 391,4 kg (863 lb) **ET**
- Châssis de la tondeuse de 122 cm (48 po) minimum **ET**
- SPCR (système de protection contre le retournement) obligatoire **ET**
- Pression des pneus du véhicule réglée selon les recommandations du fabricant **ET**
- Ne dépassez pas les 54,4 kg (120 lb) de matière dans la trémie de la tondeuse à RBZ.

Maintenez le SPCR relevé et verrouillé et utilisez la ceinture de sécurité lors de l'utilisation du véhicule avec l'épandeur.

Méthode de fixation de la tondeuse à RBZ

Si vous mettez au point votre propre montage, suivez ces directives :

- L'épandeur peut être fixé à l'avant du véhicule
- Fabriquez un support de fixation à l'aide d'un tube en acier carré d'au moins 5 cm (2 po) x 11 d'épaisseur, afin de fixer le cadre de l'épandeur au cadre de la petite roue pivotante à l'avant de la tondeuse à RBZ.
- Utilisez des boulons (4) d'au moins 12,7 mm (1/2 po) de diamètre pour fixer le cadre de l'épandeur au tube en acier carré.
- Épandeur central avec ligne centrale du véhicule. Ne décalez ni sur la gauche ni sur la droite.
- Pour un fonctionnement sécuritaire, veillez à ce que la fixation de l'épandeur ne bloque pas le champ de vision des opérateurs.
- Fabriquez la fixation afin de correspondre aux dimensions suivantes :

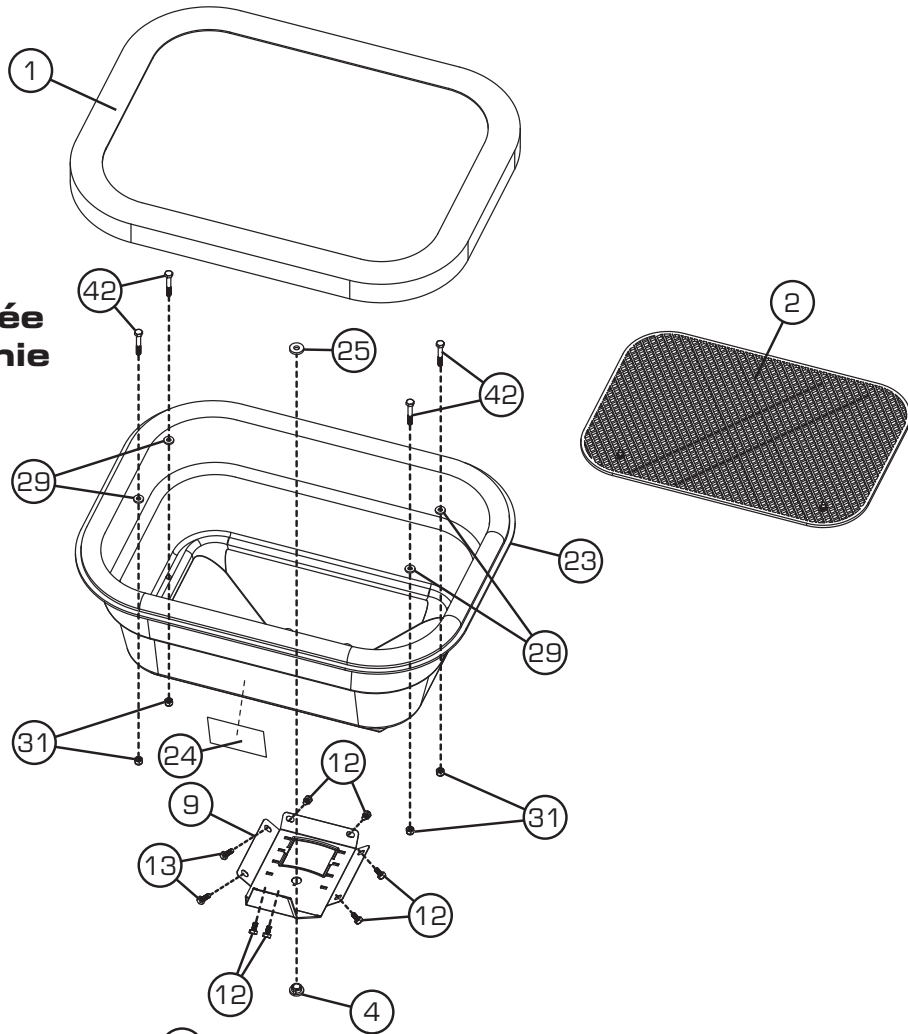


L'ensemble d'extension de la trémie en option (n° de pièce Spyker : 05-120-3600) est nécessaire afin d'augmenter la capacité de la trémie jusqu'à 1,22 m³ (4 pi. cubes). Une extension peut être utilisée pour les produits duveteux et plus légers, mais la capacité totale de la trémie ne doit pas dépasser les 54,4 kg (120 lb). Ne dépassez pas les 54,4 kg (120 lb) de matière dans la trémie de la tondeuse à RBZ.

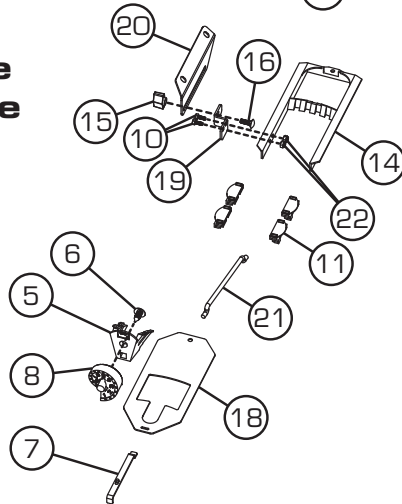
Article	Référence	Qté	Description
1	1006262	1	Couvercle de trémie
2	1008720	1	Tamis
3	1008734	1	Commande à vitesse variable
4	1000203	1	Roulement inférieur de la trémie
5	1000211	1	Fixation de cadran
6	1000215	1	Attache Pine Tree Clip
7	1000725-01	1	Articulation de la trappe de débit
8	1000733	1	Cadran
9	1000766-01	1	Bas du paillis
10	1001264	6	Boulon n° 10-32 x 12,7 mm (1/2 po), inox
11	1001521	4	Guide de la trappe de débit
12	1004880	6	Boulon 6,3 mm x 12,7 mm (1/4 po x 1/2 po), inox
13	1006084	2	Boulon 6,3 mm x 19 mm (1/4 po x 3/4 po), inox
14	1006147	1	Diffuseur Accuway
15	1007329	1	Molette en T
16	1007386	5	Boulon de carrosserie 6,3 mm x 19 mm (1/4 po x 3/4 po), inox
17	1007889	6	Attache de câble en nylon (non illustrée)
18	1008244	1	Trappe de débit
19	1008705	1	Support à glissière
20	1008706	1	Support à fentes
21	1008730	1	Tige du dispositif de commande de trappe
22	1008748	2	Contre-écrou en nylon n° 10-32, inox
23	1008755	1	Trémie avec étiquette
24	1008067	1	Autocollant Spyker
25	1000198	2	Rondelle de feutre
26	1000607	1	Disque
27	1001351	10	Rondelle 6,3 mm (1/4 po), inox
28	1001352	4	Rondelle n° 10, inox
29	1001554	4	Rondelle en nylon
30	1001683	1	Attache de disque
31	1005198	15	Contre-écrou en nylon 6,3 mm (1/4 po)-20, inox

Article	Référence	Qté	Description
32	1007005	4	Rondelle de blocage n° 10, inox
33	1008241	1	Agitateur
34	1008733	1	Moteur
35	1008744	4	Embout du tube
36	1008756	1	Auvent avec étiquettes
37	1008753	1	Étiquette d'avertissement
38	1008785	1	Étiquette de mise en garde
39	1008757	1	Cadre avec étiquette
40	L-1744-6	1	Étiquette de n° de série Spyker
41	1008770	1	Lame de pare-chocs
42	2M0828SS	6	Boulon 6,3 mm x 44,5 mm (1/4 po x 1-3/4 po), inox
43	1008711	1	Support du dispositif de commande de trappe
44	1008712	1	Extension du dispositif de commande de trappe
45	1008742-10	1	Support de la commande
46	1001248	2	Boulon n° 10 x 15,9 mm (5/8 po), inox
47	1001255	4	Boulon 6,3 mm (1/4 po)-20 x 25,4 mm (1 po), inox
48	1001308	3	Contre-écrou en nylon n° 10-24, inox
49	1001533	2	Bague nylon à bride
50	1007888	1	Boulon (6,3 mm x 57,1 mm) 1/4 po x 2-1/4 po, inox
51	1008745	1	Vis n° 10-24 x 57,1 cm (2-1/4 po)
52	1008746	1	Entretoise en plastique
53	1008747	1	Prise
54	B-7181	2	Collier de serrage de conduit 12,7 mm (1/2 po)
55	1008743	1	Rondelle en plastique

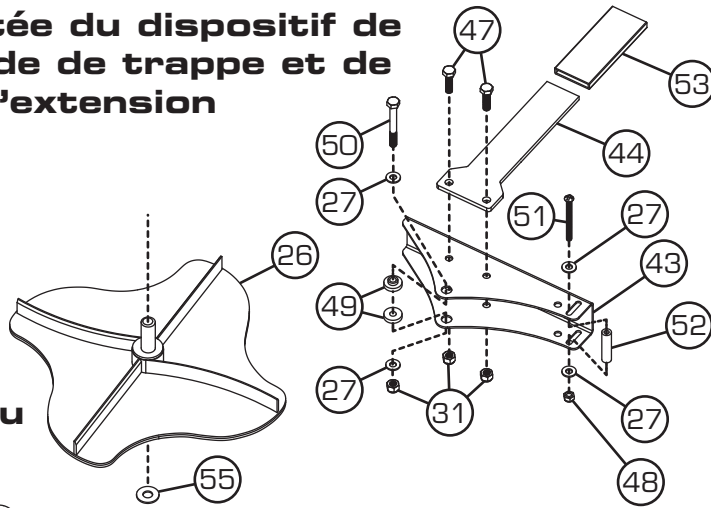
**Vue éclatée
de la trémie**



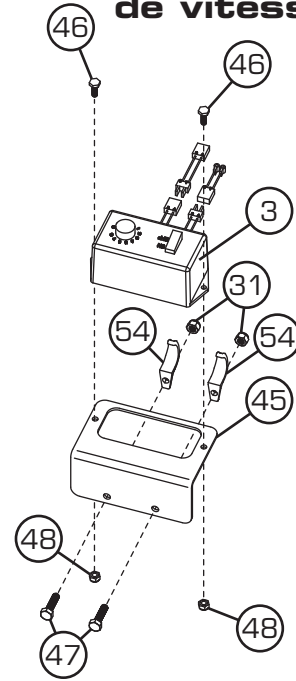
**Vue éclatée
de la trappe de débit**



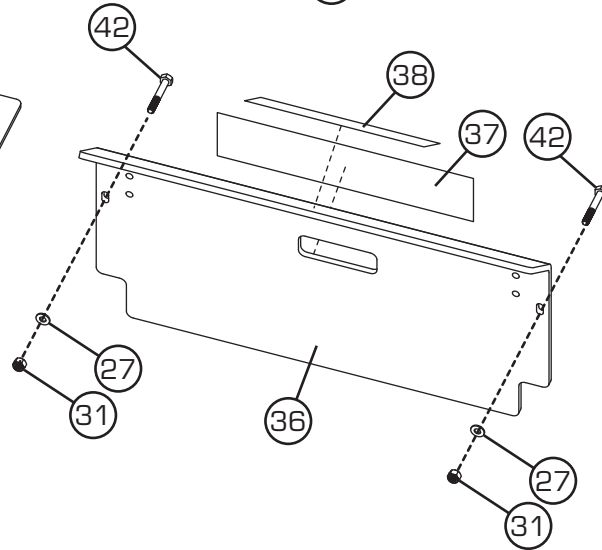
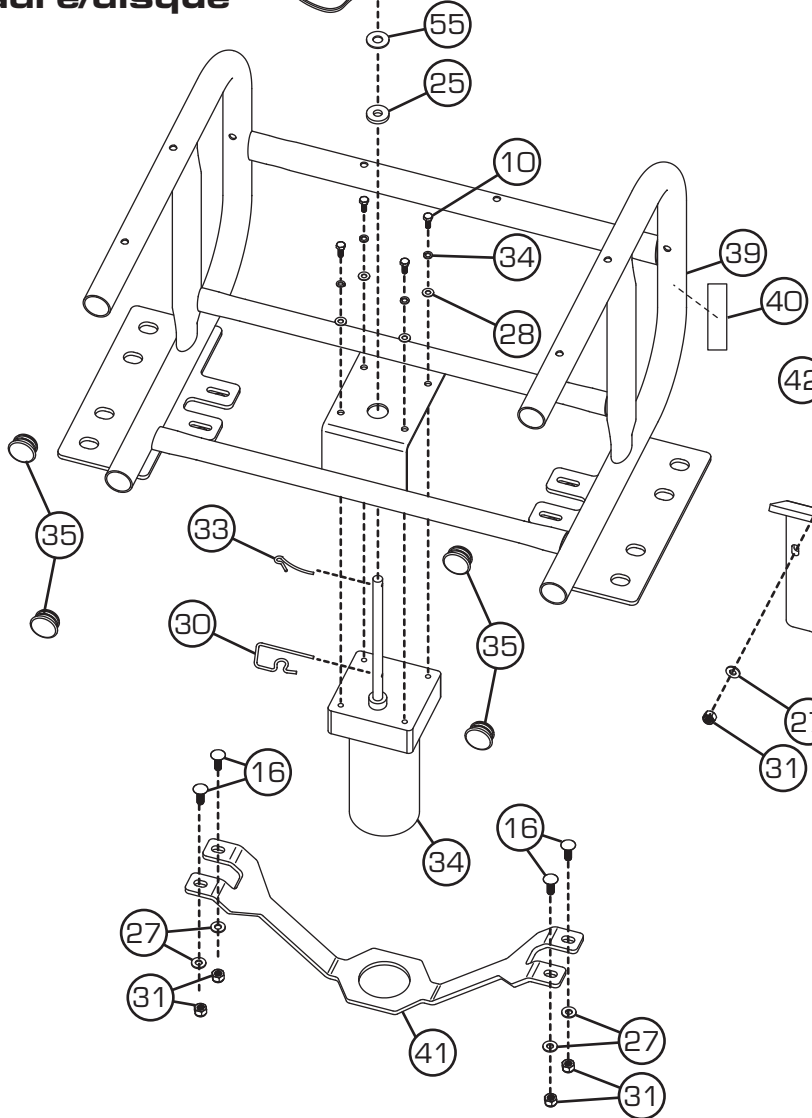
Vue éclatée du dispositif de commande de trappe et de l'extension



Vue éclatée de la commande de vitesse



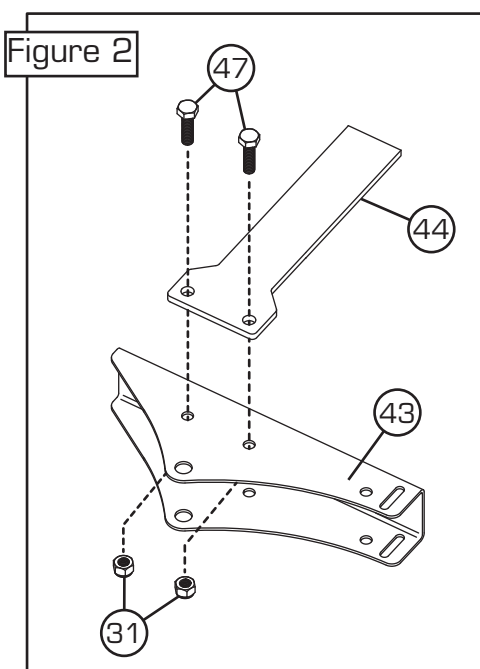
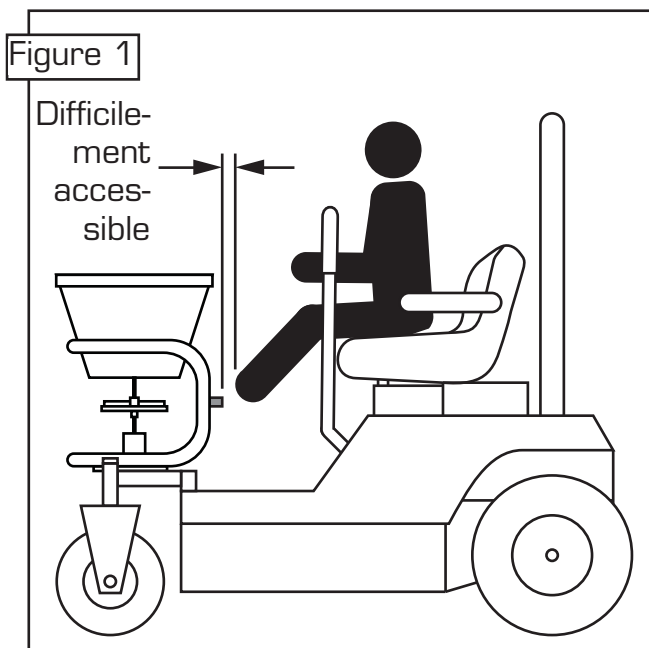
Vue éclatée du cadre/disque



Vue éclatée de l'auvent

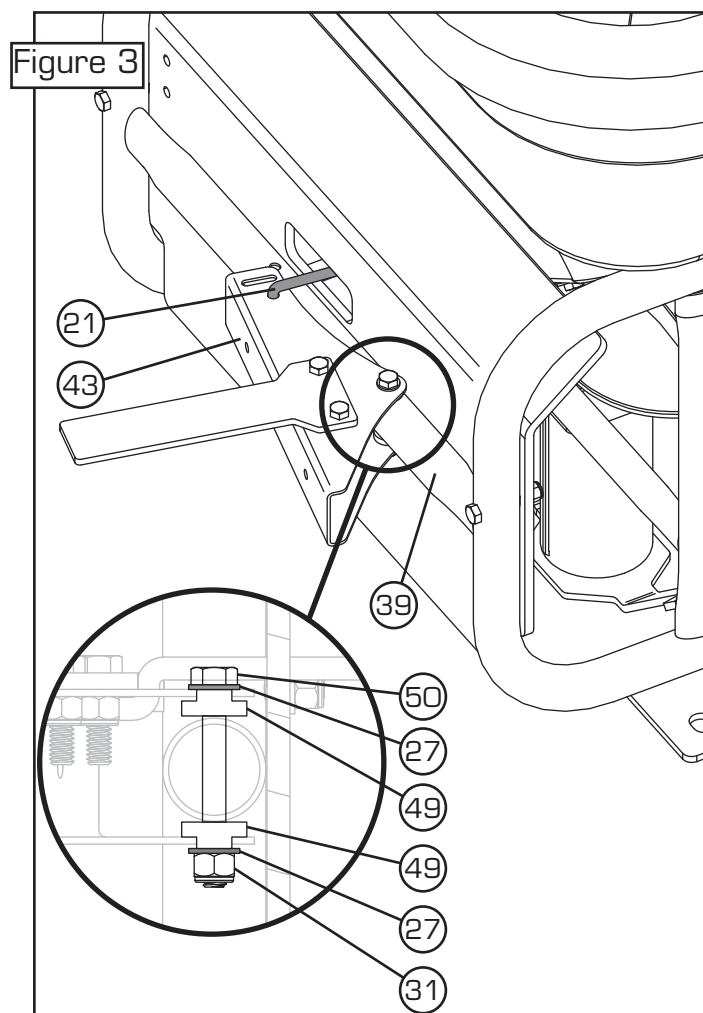
Instructions d'assemblage

1. Sortez l'épandeur et les composants du carton
2. Posez l'épandeur à l'envers, avec le sommet de la trémie reposant sur une surface plate.
3. Si l'épandeur doit être fixé à une tondeuse à RBZ et que le support du dispositif de commande de trappe (43) est alors difficilement accessible avec le pied (voir figure 1), l'extension du dispositif de commande de trappe (44) peut s'avérer nécessaire. Installez l'extension du dispositif de commande de trappe et le support du dispositif en utilisant deux boulons 6,3 mm (1/4 po)-20 x 25,4 mm (1 po) (47) et deux contre-écrous en nylon 6,3 mm (1/4 po)-20 (31), tel qu'illustré à la figure 2.

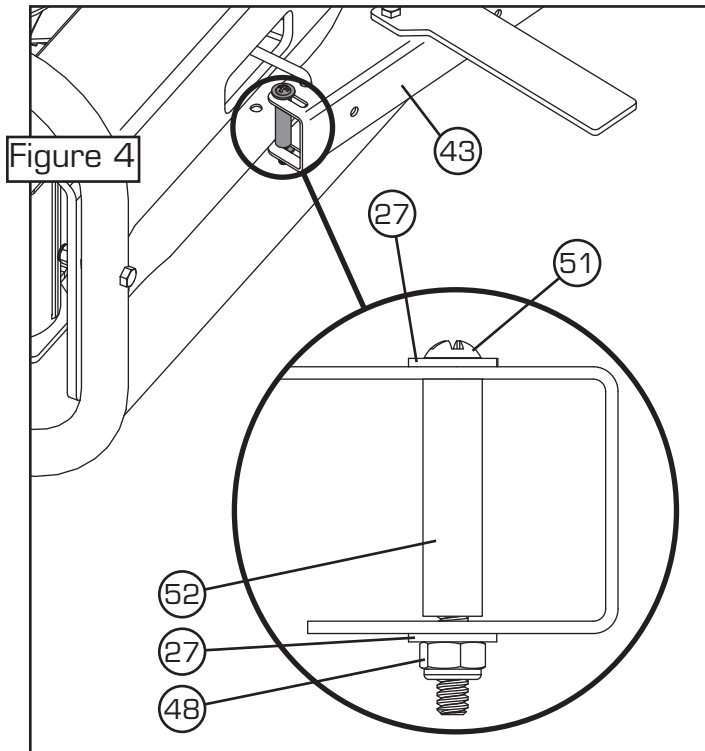


4. Si l'épandeur doit être fixé à un véhicule et que vous utilisez votre main pour ouvrir/fermer le dispositif de commande de trappe, installez l'extension tel qu'expliqué à l'étape 3. Si l'extension ne correspond pas à votre application particulière, il peut s'avérer nécessaire de fabriquer votre propre extension.
5. Réglez le cadran Spyker (8) sur la valeur 9,9. Coupez l'attache de câble qui maintient en place la tige du dispositif de commande de trappe (21). Faites glisser la tige du dispositif de commande de trappe dans le support du dispositif (43) en position illustrée à la figure 3.
6. Attachez le support du dispositif de commande de trappe (43) au cadre (39) en utilisant un boulon 6,3 mm x 57,1 mm (1/4 po x 2-1/4 po) (50), deux rondelles 6,3 mm (1/4 po) (27), deux bagues à bride en nylon (49) et un contre-écrou en nylon 6,3 mm (1/4 po)-20 (31).

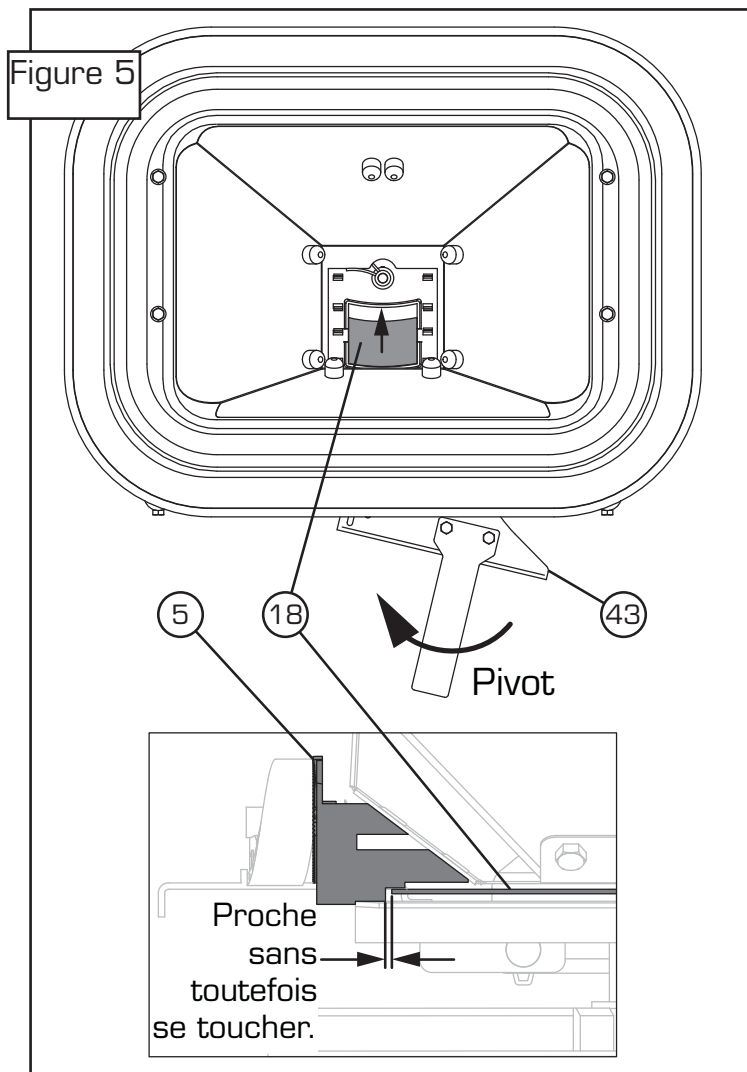
REMARQUE : assurez-vous que le support du dispositif de commande de trappe (43) est assemblé à l'emplacement et dans la position illustrés à la figure 3.



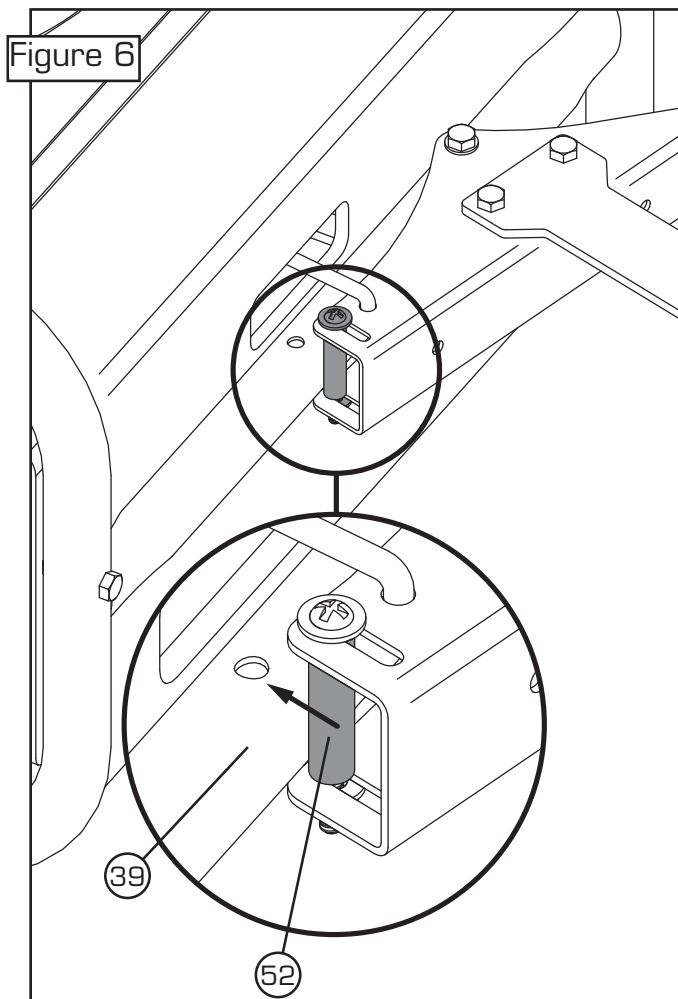
7. Fixez l'entretoise en plastique (52) au support du dispositif de commande de trappe (43) en utilisant un boulon n° 10-24 x 57,1 mm (2-1/4 po) (51), deux rondelles 6,3 mm (1/4 po) (27) et un contre-écrou en nylon n° 10-24 (48), tel qu'illustré à la figure 4. Laissez desserrés.



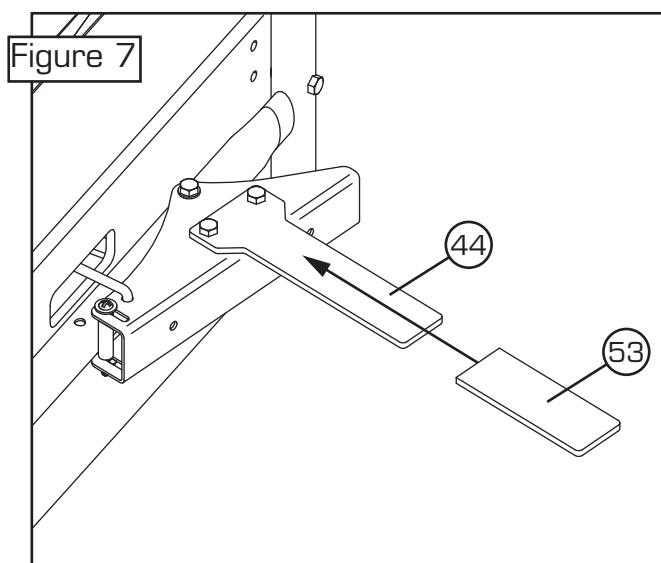
8. Faites pivoter le support du dispositif de la trappe (43) dans la position illustrée jusqu'à ce que la trappe de débit (18; voir figure 5) soit très proche, mais sans pousser contre la fixation du cadran (5).



9. Ajustez la position de l'entretoise en plastique (52; voir figure 6) qui a été assemblée à l'étape 7, afin qu'elle repose sur le cadre (39), et serrez les attaches qui la maintiennent en place.



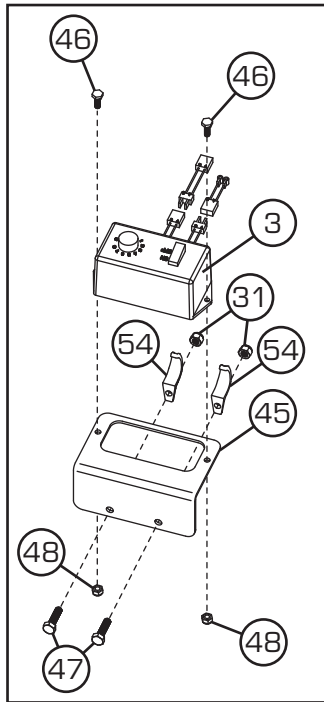
10. Fixez la prise (53) à l'extension du dispositif (44, le cas échéant), tel qu'illustré à la figure 7.



11. Retournez l'épandeur et placez l'écran (2) dans la trémie.

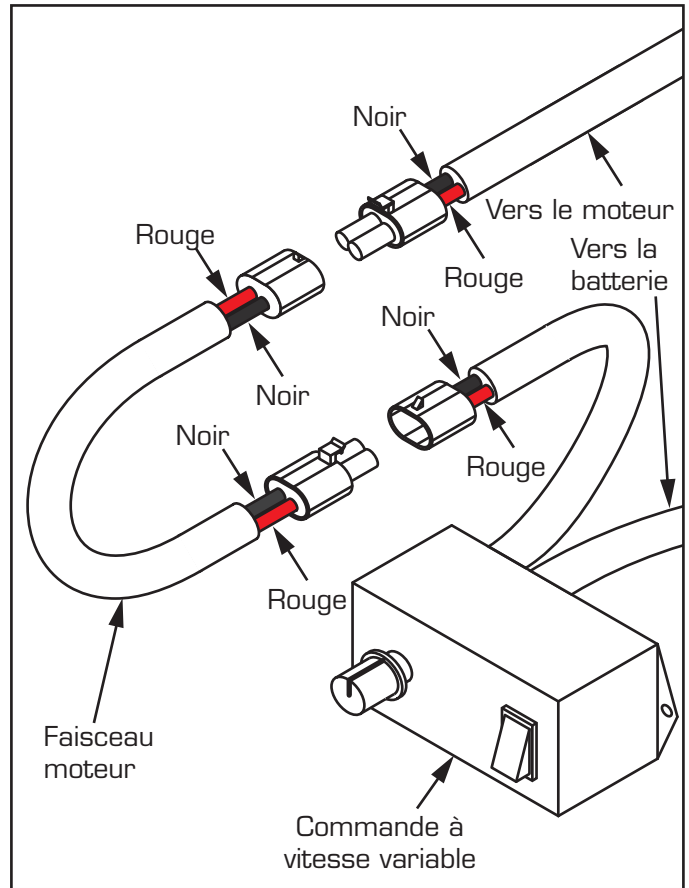
Instructions d'assemblage électrique :

1. Si vous avez acheté un ensemble de montage en option et que ces instructions expliquent comment connecter et acheminer un faisceau de câbles électriques, veuillez vous référer à ces instructions. Si aucune instruction n'est donnée, continuez jusqu'à l'étape 2.
2. Assurez-vous que l'épandeur est fixé à un VUTT, un VTT ou une tondeuse à RBZ selon les instructions de l'ensemble de montage ou comme indiqué précédemment dans le présent manuel.
3. Fixez le support de la commande [45] à la commande à vitesse variable [3] en utilisant deux boulons n° 10 x 15,9 mm (5/8 po) [46] et deux contre-écrous en nylon n° 10-24 [48], tel qu'illustré.



4. Fixez le support de la commande [45] à un emplacement pratique sur votre véhicule à l'aide des colliers de serrage de conduit 12,7 mm (1/2 po) [54], des boulons 6,3 mm (1/4 po)-20 x 25,4 mm (1 po) [37] et des [31] contre-écrous en nylon 6,3 mm (1/4 po)-20 disponibles. Assurez-vous que la commande du moteur ne causera pas de risque de trébuchement.

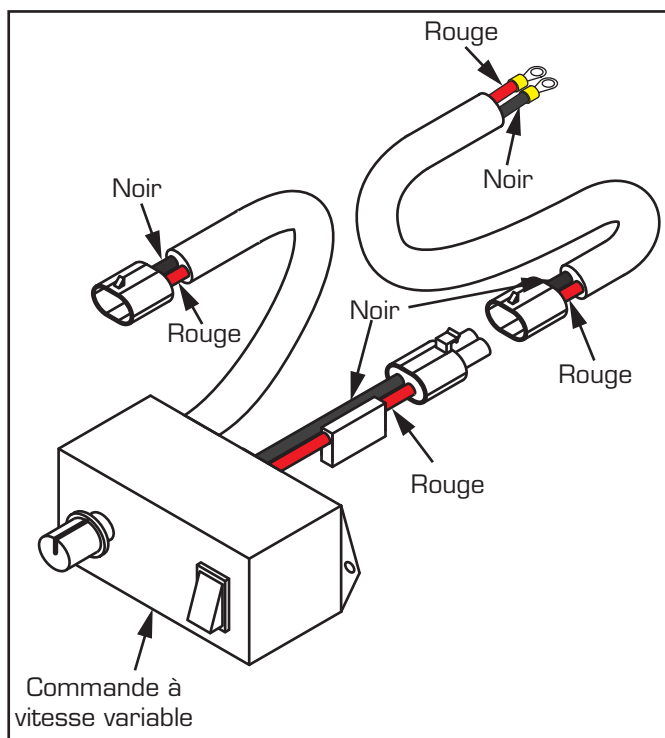
5. Connectez le faisceau moteur au moteur [34]. Le connecteur pour le moteur et celui pour le faisceau moteur ne peuvent être fixés que dans une direction



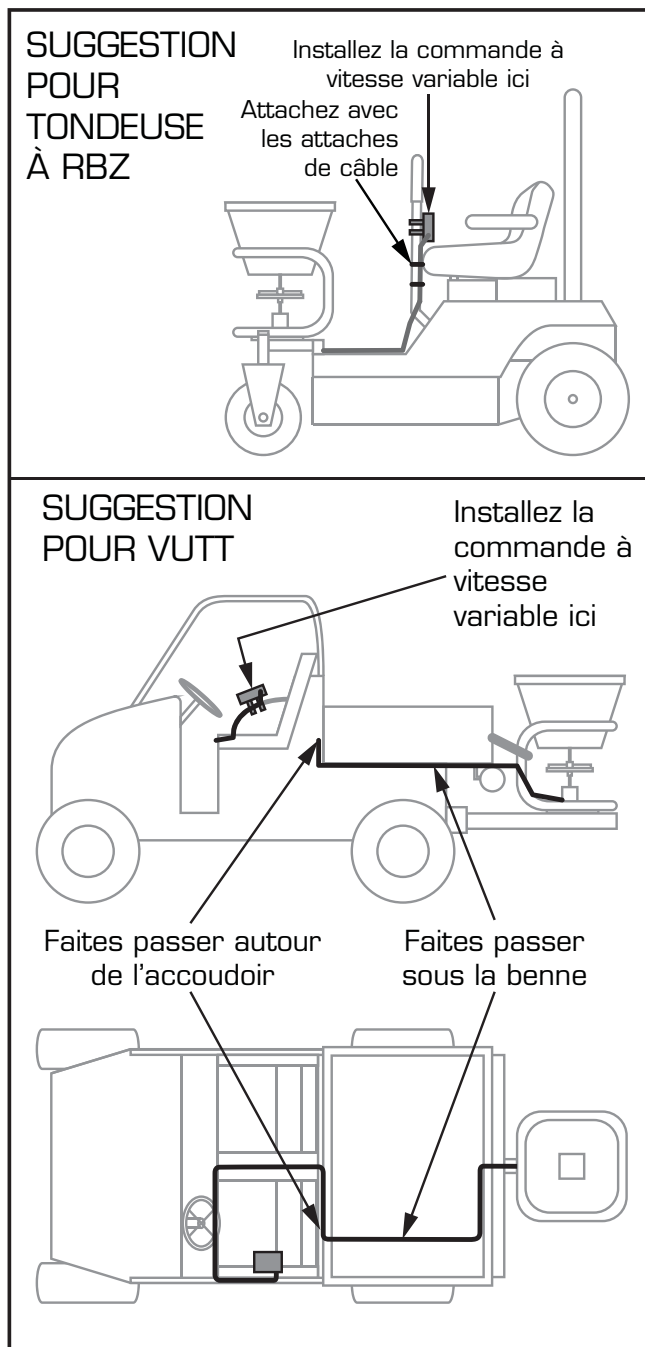
Le moteur est conçu pour tourner dans le sens inverse afin que les pales distribuent correctement le produit.

6. Acheminez et connectez le faisceau moteur à la commande à vitesse variable. Utilisez les attaches de câble [17] incluses afin de fixer solidement le faisceau moteur au véhicule. Assurez-vous de faire passer les câbles à l'écart des surfaces chaudes et des zones de remplissage des réservoirs avec du carburant, ou de celles pouvant causer des risques de trébuchement.

7. Branchez le connecteur du faisceau de la batterie à la commande à vitesse variable (3).



8. Acheminez le faisceau de la batterie à la batterie et utilisez les attaches de câble (17) pour le fixer solidement au véhicule. Assurez-vous de faire passer les câbles à l'écart des surfaces chaudes et des zones de remplissage des réservoirs avec du carburant ou de celles pouvant causer un risque de trébuchement.



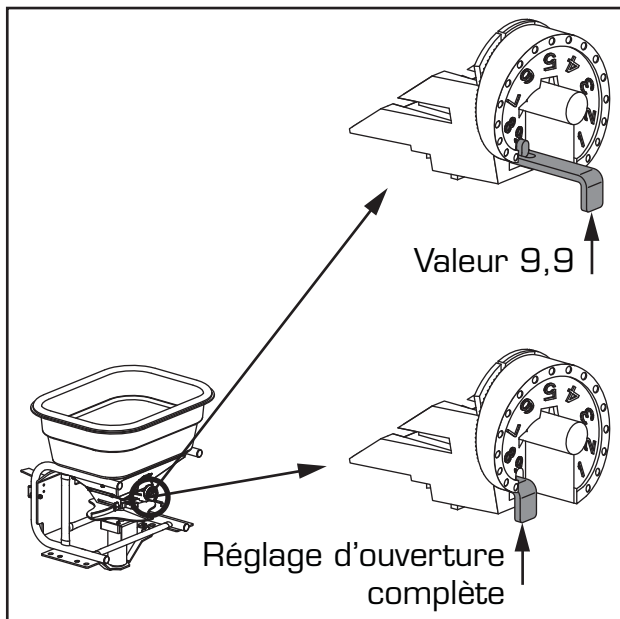
9. Connectez le câble rouge positif (+) du faisceau de la batterie au boulon d'ablocage positif (+) de la batterie. Installez et serrez entièrement l'écrou, puis glissez le couvercle rouge de la batterie sur la borne positive du câble de la batterie.
10. Connectez le faisceau noir négatif (-) de la batterie au boulon d'ablocage négatif (-) de la batterie. Installez et serrez entièrement l'écrou.

Cette page a volontairement été laissée en blanc.

Fonctionnement

Cet appareil est conçu pour gérer uniquement la matière sèche, propre et fluide, telle que le sel gemme en sachet, les produits de fonte de la glace, les engrais et les graines de graminées. N'utilisez pas de sel gemme en vrac ni de sel adoucisseur d'eau. Il peut s'avérer nécessaire d'enlever l'agitateur pour certaines matières, telles que le sel gemme en sachet.

1. La vitesse de fonctionnement recommandée pour le véhicule lors de l'épandage est d'environ 5 km/h (3 mi/h), soit légèrement plus rapide qu'une marche à bon pas (équivalent à un déplacement du véhicule de 1,3 m/s (13 m en 10 sec.) ou (4,4 pi/s) (44 pi en 10 sec.).
2. La transmission de la trappe de débit permet de faire fonctionner cette trappe. Le cadran comporte une échelle de 0 à 9,9. La position de la transmission de la trappe de débit détermine la quantité de produit à épandre. Plus la valeur sur l'échelle est élevée, plus la quantité de produit épandu sera importante.
3. Le cadran est fraisé à la position 9,9. Ceci permet à la transmission de la trappe de débit de dépasser la position 9,9 et à la trappe d'être ouverte à une distance maximale. Ce réglage peut être utilisé pour du sable sec, de l'épandage de surface organique sec, du sel gemme en sachet et des produits de fonte de la glace qui sont généralement compliqués à épandre.



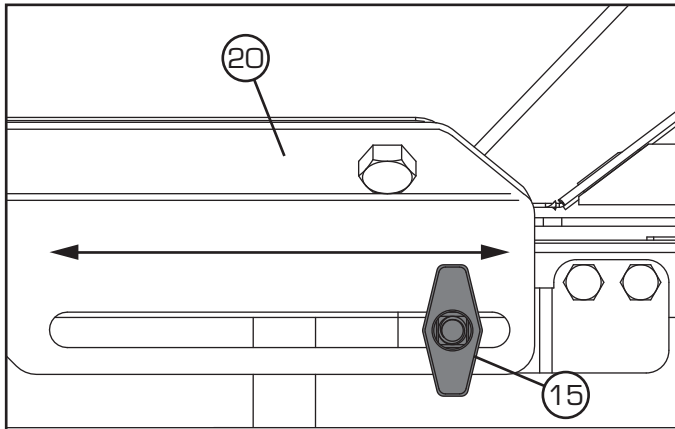
4. Assurez-vous que l'épandeur et les faisceaux électriques sont correctement fixés au véhicule (voir la section Assemblage).
5. Remplissez la trémie avec le produit. Ne dépassez pas la capacité de poids maximale de la trémie (voir la section Capacité).

6. Réglez le cadran sur la position adéquate. Si un réglage de cadran Spyker n'est pas fourni avec les informations du produit à épandre, utiliser le tableau de comparaison taille/poids disponible aux pages suivantes. Utilisez le réglage le plus faible. Si ce réglage s'avère trop faible, passez une nouvelle fois sur la zone. Une fois qu'un réglage est testé avec succès, il sera possible d'en utiliser un supérieur.
7. Rendez-vous à l'emplacement de l'épandage.
8. Assurez-vous qu'il n'y a aucun passant dans la zone entourant l'épandeur.
9. Mettez l'interrupteur sur MARCHÉ et ajustez le cadran de commande de la vitesse du moteur. Augmenter le réglage de la commande de vitesse du moteur revient à élargir la distribution. Pour la plupart des engrais, la commande de vitesse du moteur peut être réglée sur 5 et l'aire d'épandage être néanmoins de 5,5 m (18 pi). Pour les graines de graminées, la commande de vitesse du moteur peut être réglée sur 5 afin d'obtenir une aire d'épandage de 3,6 m (12 pi).
10. Appuyez sur le côté droit du dispositif de commande de trappe pour ouvrir la trappe de la trémie. Ouvrez la trappe de l'épandeur une fois lancé à la vitesse de fonctionnement (environ 5 km/h, soit 3 mi/h).
11. Évaluez la répartition de l'épandage.
12. Si la répartition est correcte, continuez d'épandre à la vitesse de fonctionnement recommandée, soit 5 km/h (3 mi/h).
13. Si la répartition doit être ajustée, allez à la section Ajustement de la répartition de l'épandage Accuway.
14. Appuyez sur le côté gauche du dispositif de commande de trappe pour fermer la trappe. Fermez la trappe de l'épandeur lorsque vous êtes encore à la vitesse de fonctionnement.
15. Mettez l'interrupteur sur ARRÊT pour arrêter les pales.

Ajustement de la répartition de l'épandage Accuway

Mise en garde! Afin d'éviter les blessures aux mains, assurez-vous que la commande du moteur est éteinte avant d'ajuster Accuway.

Lorsque vous épandez, si la répartition de l'épandage est déformée ou plus importante d'un côté, desserrez simplement la molette en T (15) située sur la plaque Accuway (20) ou faites-la glisser vers l'avant ou l'arrière.



↑ Déplacement		
Répartition de l'épandage	Importante à gauche	Importante à droite
Réglez Accuway sur :		
Nouvelle répartition de l'épandage		

Le déplacement de la plaque Accuway fait bouger le produit sur le disque. L'ajustement est très sensible et devrait être effectué progressivement jusqu'à ce que la répartition de l'épandage soit centrée.

Tableau d'épandage

Cet appareil est conçu pour gérer uniquement la matière sèche, propre et fluide, telle que le sel gemme en sachet, les produits de fonte de la glace, les engrais et les graines de graminées. N'utilisez pas de sel gemme en vrac ni de sel adoucisseur d'eau. Il peut s'avérer nécessaire d'enlever l'agitateur pour certaines matières, telles que le sel gemme en sachet.

SVITESSE - PRÉCISION - ABSENCE DE RAYURES ET DE STRIES sont entre vos mains lorsque vous utilisez cet épandeur. La largeur du faisceau d'épandage varie de 1,8 à 7,6 m (6 à 25 pi), selon le volume/la densité et la taille des particules du produit ainsi que la vitesse de déplacement. Le produit épandu est en plus faible quantité sur les bords extérieurs, ce qui élimine l'effet de rayures et de traînées.

SOUVENEZ-VOUS : les valeurs affichées publiées ne sont qu'approximatives. L'utilisation de l'épandeur, l'état du produit (humide ou sec, excessivement broyé) ainsi que les conditions climatiques influent sur le réglage.

Pour ces raisons, il est souvent souhaitable d'épandre deux fois sur la même zone (avec un débit réduit de moitié) dans des directions contraires. La vitesse de déplacement du véhicule doit être de 5 km/h (3 mi/h).

MISE EN GARDE. Évitez les blessures! Les produits chimiques peuvent être dangereux. Évitez tout risque de blessure chez les opérateurs ou les passants.

- Lisez les FDS (fiches de données de sécurité) pour connaître les éléments chimiques et les étiquettes des produits pour obtenir des instructions de manipulation adéquates.
- Portez des vêtements adéquats et un équipement de protection lors de la manipulation ou de l'épandage.
- Interdisez de fumer, de boire et de manger dans les environs des produits chimiques.

AVERTISSEMENT : soyez extrêmement prudent lors de l'épandage de produits contenant de l'herbicide en ce qui concerne les écarts et les dérives dues au vent. LE CONTACT DE CERTAINS PRODUITS AVEC DES PLANTES PEUT LEUR ÊTRE FATAL.







REMARQUE : Les réglages du cadran ne sont qu'approximatifs!		kg par 4 882 m² (lb par 1 000 pi²)	Valeurs affichées Débit max.		Valeurs affichées Demi-vitesse À deux reprises
Produit	Taille des particules		À une reprise	↑ ↓	
Granulés fins		1	3,6		3,1
		2	4,0		3,5
		3	4,2		3,7
Granulés mi-fins Granulés		2	3,7		3,2
		4	4,7		4,1
		6	5,2		4,5
Granulés de faible taille		2	3		2,2
		4	4,2		3,7
		6	4,5		4
Granulés d'azote Taille moyenne		1	3,5		3
		2	4,2		3,7
		3	4,7		4
Granulés moyens et granules		2	3,5		3
		4	4,2		3,8
		6	5,2		4,5
Grande taille Granulés		2	3,8		3,3
		4	4,9		4,1
		6	5,9		4,9

TABLEAU D'ÉPANDAGE DE SEMENCES DE GAZON

Produit	Poids du sac	Couver- ture au pi²	Valeurs af- fichées Débit max.	Valeurs af- fichées Demi-vitesse	Largeur d'épandage
Pâturin des prés ou agrostide blanche	0,5 lb	1.000	1,25		4
	1 lb	1.000	2,0		4
	2 lb	1.000	2,5		4
Pâturin du Kentucky, Park, Merion ou Delta	0,5 lb	1.000	2,5		4
	1 lb	1.000	3,0		4
	2 lb	1.000	3,5		4
Cynodon nu	2 lb	1.000	2,75	2,25	6
	3 lb	1.000	3,0	2,5	6
	4 lb	1.000	3,25	2,75	6
Mélanges comprenant semences grossières	2 lb	1.000	6,0		6
	4 lb	1.000	7,0		6
	6 lb	1.000	7,0		6
Faux seigle ou fétuque élevée	2 lb	1.000	6,0		6
	4 lb	1.000	7,0		6
	6 lb	1.000	7,75		6
Dichondra	4 oz	1.000	1,9		8
	8 oz	1.000	2,1		8
	12 oz	1.000	2,5		8
Pensacola Bahia	4 lb	1.000	4,5	3,75	7
	5 lb	1.000	4,75	4,0	7
	6 lb	1.000	5,0	4,25	7

Nettoyage de l'épandeur

- Portez des chaussures, une protection pour les yeux et des vêtements appropriés lors du nettoyage de l'épandeur.
- Le secret pour profiter d'un fonctionnement sans problème durant des années est simple : nettoyez l'épandeur et conservez-le au sec.
- Ne laissez jamais de matière dans la trémie durant des périodes prolongées.
- Videz le produit de la trémie à chaque fin de journée.
- Utilisez un tuyau et essuyez l'excédent de produit chaque fin de journée.
- Afin d'éviter les dommages au moteur et au système électrique, ne pulvérisez pas directement sur le moteur et n'utilisez pas de pression.
- Ouvrez et fermez la trappe tout en rinçant afin d'éviter l'accumulation de matière.
- Essuyez rapidement l'épandeur avec une serviette.
- Utilisez de la graisse diélectrique sur les connexions électriques afin d'empêcher la corrosion.

Entreposage de l'épandeur

- Éteignez le moteur sur une surface plane.
- Éteignez le moteur du véhicule tracteur.
- Verrouillez le frein de stationnement du véhicule tracteur.
- Détachez le faisceau du moteur de l'épandeur de la batterie du véhicule.
- Enlevez tout le produit de la trémie avant de détacher l'épandeur du véhicule. L'épandeur doit être propre et sec avant d'être entreposé. Voir la section nettoyage de l'épandeur.
- Détachez l'épandeur du véhicule.
- Entreposez l'épandeur à l'envers, avec le bord supérieur de l'épandeur au sol.

Entretien

- Vous devez comprendre les procédures de dépannage et d'entretien avant d'effectuer des travaux sur ce véhicule ou sur l'épandeur.
- Ne faites pas fonctionner le moteur dans un espace confiné où le monoxyde de carbone et d'autres émanations peuvent s'accumuler.
- Ne lubrifiez jamais ni dépannez ou ajustez le véhicule ou l'épandeur lorsqu'il est en mouvement ou allumé.

- Évitez de placer vos mains, pieds, vêtements, cheveux et éléments lâches à proximité des pièces mobiles.
- Débranchez la batterie avant d'effectuer des réparations.
- Conservez toutes les pièces en bon état pour un fonctionnement correct. Réparez immédiatement les dommages. Remplacez toutes les pièces usées ou endommagées (y compris les autocollants de sécurité).
- Si l'agitateur est usé, remplacez-le par une pièce Spyker n° 1008241. N'utilisez aucun autre agitateur.
- Vérifiez régulièrement tout le matériel afin de vous assurer qu'il est bien serré.

Capacités

- Poids à vide de l'épandeur avec le dispositif de commande de trappe = 15,4 kg (34 lb).
- Capacité en volume de la trémie = 56,6 dm³ (2 pi. cubes).
- Poids maximal de la trémie de l'épandeur = 54,4 kg (120 lb)
- Poids maximal avec l'ensemble d'extension de trémie en option (n° pièce Spyker : 05-120-3600) = 99,8 kg (220 lb) (Ne pas dépasser les 54,4 kg (120 lb) de poids de trémie sur les VTT ou les tondeuses à RBZ)

Résolution de problèmes

PROBLÈME	CAUSE/CONDITION	SOLUTION
Quantité trop importante ou trop faible de matière épandue.	La trappe de débit n'est pas ouverte en position correcte.	Vérifiez les réglages du cadran et la position de la transmission de la trappe de débit.
La transmission de la trappe de débit n'est pas totalement ouverte.	Le cadran est sur une mauvaise position.	Tournez le cadran afin que la portion fraisée (n° 9,9) permette à la trappe de s'ouvrir totalement.
Le moteur ne s'allume pas.	Le faisceau de la batterie n'est pas connecté à la batterie.	Assurez-vous que le faisceau de la batterie est correctement connecté à la batterie et à la commande du moteur.
	Le faisceau moteur n'est pas connecté au moteur.	Assurez-vous que le faisceau moteur est connecté au moteur et à la commande du moteur.
	Le fusible est grillé.	Vérifiez et remplacez le fusible 15 A. Afin d'éviter les dommages électriques, n'utilisez que du 15 A.
	La lumière de l'interrupteur clignote toutes les 2 secondes.	Situation de sous-tension. Mettez l'interrupteur sur Arrêt, attendez 5 secondes, puis rallumez.
	La lumière de l'interrupteur clignote à chaque seconde.	Situation de surcharge. Mettez l'interrupteur sur Arrêt, attendez 5 secondes, puis rallumez. Si le problème persiste, remettez l'interrupteur sur Arrêt.
	Le produit est trop dense, épais ou humide.	Éteignez et enlevez l'agitateur.
Le produit ne tombe pas par la trappe de la trémie.	Le produit est trop humide.	Raclez le produit de la trémie et remplacez-le par du produit sec.
	Le produit est agglutiné.	Assurez-vous que l'écran est en place.
	La trappe n'est pas ouverte assez loin pour ce type de produit.	Ouvrez progressivement la trappe.
L'agitateur est manquant ou usé.	Utilisation fréquente.	Remplacez l'agitateur par la pièce n° 1008241. N'utilisez aucun autre agitateur.



GARANTIE LIMITÉE À UN AN

Cette garantie s'applique uniquement à l'acheteur original. Spyker remplacera toute pièce défectueuse, présentant des vices de matériau ou de fabrication, pendant une période d'un an à compter de la date d'achat.

Pour Spyker Spreaders, une société Brinly-Hardy, sur les équipements utilisant des engrenages, des pignons et des engrenages coniques métalliques, ces pièces métalliques sont garanties pour toute la durée de vie de l'épandeur. Ceci s'applique uniquement à ces pièces métalliques, à l'exclusion de toute autre pièce ou tout autre matériau, si elles n'ont pas été utilisées comme pièces de rechange ou de réparation après la date initiale d'achat.

Spyker Spreaders ne saurait être tenu responsable des pertes, dommages ou dépenses, y compris sans s'y limiter, des dommages accessoires ou indirects, à la suite de l'exploitation, de l'état ou de l'utilisation de l'appareil. Le seul et unique recours contre Spyker Spreaders est le remplacement des pièces défectueuses. La présente garantie vous accorde des droits légaux spécifiques et vous pouvez également avoir d'autres droits qui varient d'un État ou d'une province à l'autre.

La présente garantie expresse, s'appliquant uniquement à l'acheteur initial, tient lieu et exclut toute autre garantie, qu'elle soit expresse ou implicite par application d'une loi ou de toute autre façon, y compris toute garantie de qualité marchande et d'adaptation à un usage particulier.

**SPYKER SPREADERS
Jeffersonville, IN 47130 ÉTATS-UNIS
Téléphone : +1.800.972.6130**